

## CAB16LE-01T-1

Former P/N: BC-1601 / CAB16MC-01T-1

Rev. 1-2023  
RoHS3 & REACH  
Battery Assembly



### Physical Characteristics

#### MATERIALS

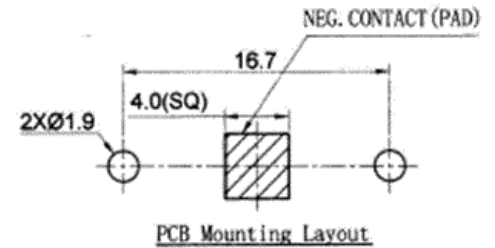
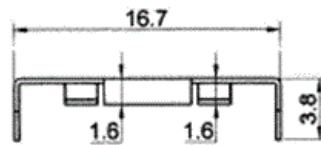
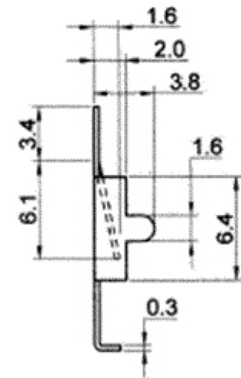
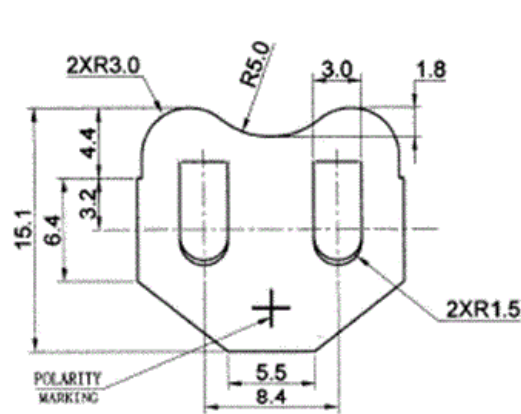
Contact Phosphor Bronze,  
Nickel Plated

#### TEMPERATURE RANGES

Operating -30 to +85 °C

Storage -40 to +95 °C

Cell Type CR16 Series, or equivalent



All measurements in mm unless otherwise noted.

Revision	Description	By	Date
0-2021	Initial Specification Sheet	JL	2021-11-16
1-2023	Added part image.	SK	2023-05-22

Warranty: For a period of one (1) year from date of shipping under normal operations conditions. This warranty does not apply to products damaged through misuse, abuse, improper installation, alteration, rework, or attempt to repair.

The information contained herein is believed to be correct, but no guarantee or warranty, express or implied, with respect to accuracy, completeness or results is extended and no liability is assumed. Challenge Electronics reserves the right to make changes in any specification, data or material contained herein.