

INDICATORS • SPEAKERS • SOUND TRANSDUCERS • ENCLOSURES • MICROPHONES • BATTERY ACCESSORIES

## CAB31LF-01S-1

Former P/N: CH-28-2032 / CAB31PC-01S-1

Rev. 0-2021  
RoHS3 & REACH  
Battery Assembly



### Physical Characteristics

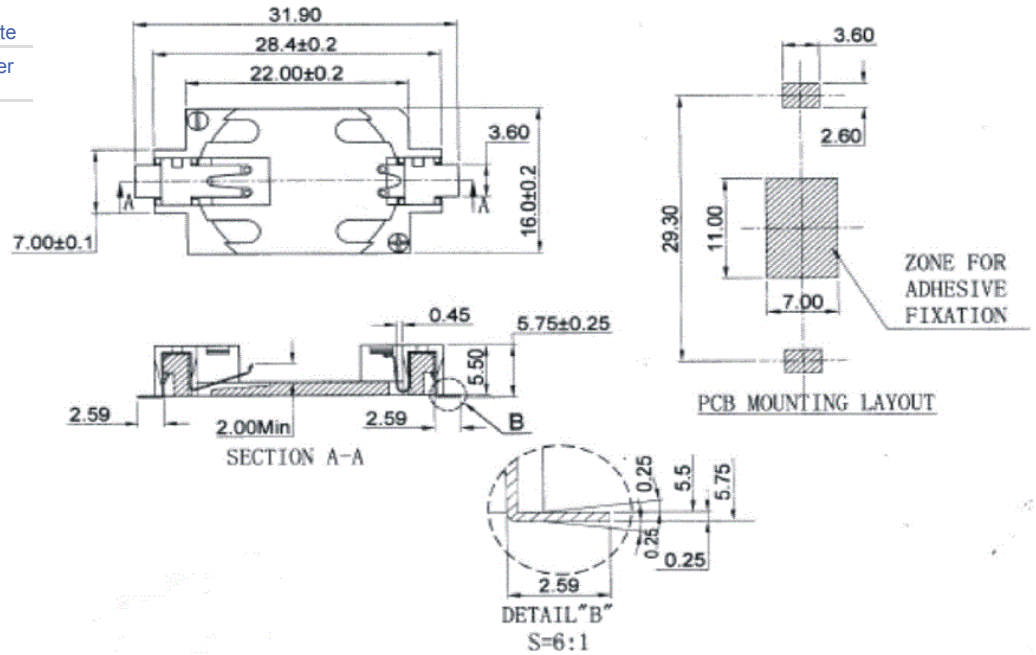
#### MATERIALS

Housing Plastic, 30% Glass Filled LCP, White  
Contact Phosphor Bronze, Gold Plated Over Nickel

#### TEMPERATURE RANGES

Operating -30 to +85 °C  
Storage -30 to +85 °C

Cell Type CR20 Series, or equivalent



All Measurements are mm unless noted otherwise.

Revision	Description	By	Date
0-2021	Initial Specification Sheet	JL	2021-11-15

Warranty: For a period of one (1) year from date of shipping under normal operations conditions. This warranty does not apply to products damaged through misuse, abuse, improper installation, alteration, rework, or attempt to repair.

The information contained herein is believed to be correct, but no guarantee or warranty, express or implied, with respect to accuracy, completeness or results is extended and no liability is assumed. Challenge Electronics reserves the right to make changes in any specification, data or material contained herein.

©2021 Challenge Electronics, Inc. Pub. 20211116153537