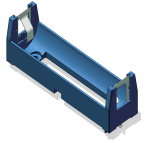


INDICATORS • SPEAKERS • SOUND TRANSDUCERS • ENCLOSURES • MICROPHONES • BATTERY ACCESSORIES

CAB75LA-01T-2

Former P/N: BHC-186501P

 Rev. 1-2017
 RoHS3 & REACH
 Battery Assembly


Physical Characteristics

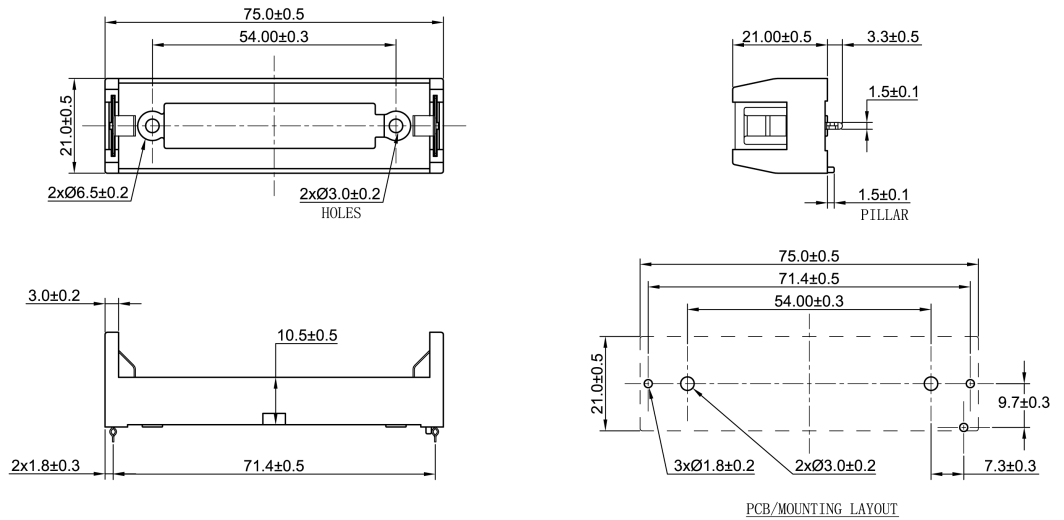
MATERIALS

Housing	PBT +30% Resin, Black
Contact	SUS301 1/2H Stainless Nickel Plated

TEMPERATURE RANGES

Operating	-20 to +65 °C
Storage	-30 to +85 °C

Cell Type 18650, or equivalent



Revision	Description	By	Date
0-2020	Initial Specification Sheet	WS	2020-03-11

Warranty: For a period of one (1) year from date of shipping under normal operations conditions This warranty does not apply to products damaged through misuse, abuse, improper installation, alteration, rework, or attempt to repair.

The information contained herein is believed to be correct, but no guarantee or warranty, express or implied, with respect to accuracy, completeness or results is extended and no liability is assumed. Challenge Electronics reserves the right to make changes in any specification, data or material contained herein.
 ©2020 Challenge Electronics, Inc. Pub. 20200311122219