

CAC134-03W33-20-1

Rev. 0-2024
RoHS3 & REACH
Chamber Assembly



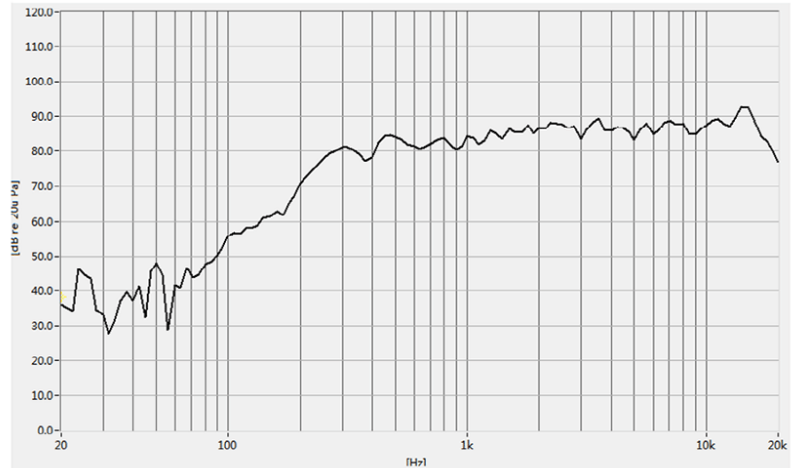
Operating Characteristics

ELECTRICAL

Rated Power	3 W
Short Term Max Power	5 W
Impedance	4 Ω ± 15 % 2,000 Hz; 0.25 W

ACOUSTIC

f_0	330 Hz ± 20 % 0.25 W
Freq. Range	264 to 20,000 Hz
Rated SPL	83 ± 3 dB
Test Conditions	800, 1,000, 1,200, 1,500 Hz; 1 W; 50 cm
Distortion	<5 % 1,000 Hz; 1 W



Physical Characteristics

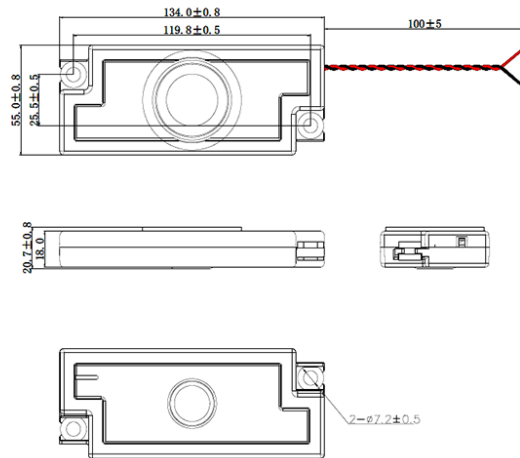
MATERIALS

Speaker Box Frame	SPCC
Speaker Frame	SPCC
Diaphragm	Pu+Paper
Magnet	NdFeB
Wire	UL 1571, 26 AWG

TEMPERATURE RANGES

Operating	-20 to +60 °C
Storage	-30 to +70 °C

Weight	87 g
Speaker Part #	CS40-03D25-18-1



General tolerance = ±0.5 mm and all measurements in mm unless otherwise noted.

Revision	Description	By	Date
0-2024	Original Specification	KG	2024-12-24

Warranty: For a period of one (1) year from date of shipping under normal operations conditions. This warranty does not apply to products damaged through misuse, abuse, improper installation, alteration, rework, or attempt to repair.

The information contained herein is believed to be correct, but no guarantee or warranty, express or implied, with respect to accuracy, completeness or results is extended and no liability is assumed. Challenge Electronics reserves the right to make changes in any specification, data or material contained herein.