

CAC24-00W85-08-1

Rev. 1-2021
RoHS3 & REACH
Chamber Assembly



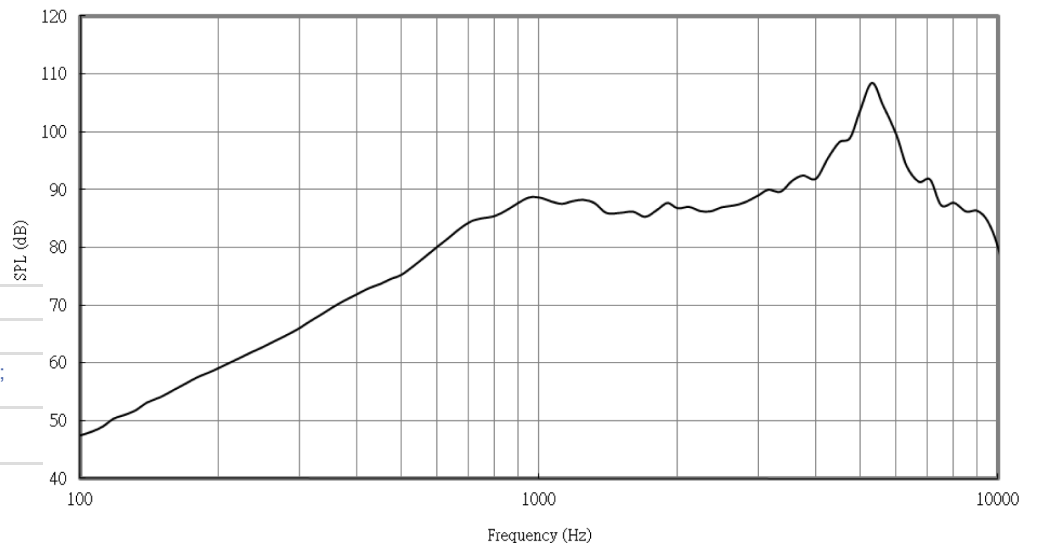
Operating Characteristics

ELECTRICAL

Rated Power	0.7 W
Short Term Max Power	1 W
Impedance	8 Ω ± 20 % 2000 Hz; 0.5 W

ACOUSTIC

f_o	850 Hz ± 15 % 0.5 W
Freq. Range	500 to 20000 Hz
Rated SPL	86 ± 3 dB
Test Conditions	800, 1000, 1500, 2000 Hz; 0.7 W; 10 cm;
Distortion	Max 10 % 2000 Hz; 0.7 W



Physical Characteristics

MATERIALS

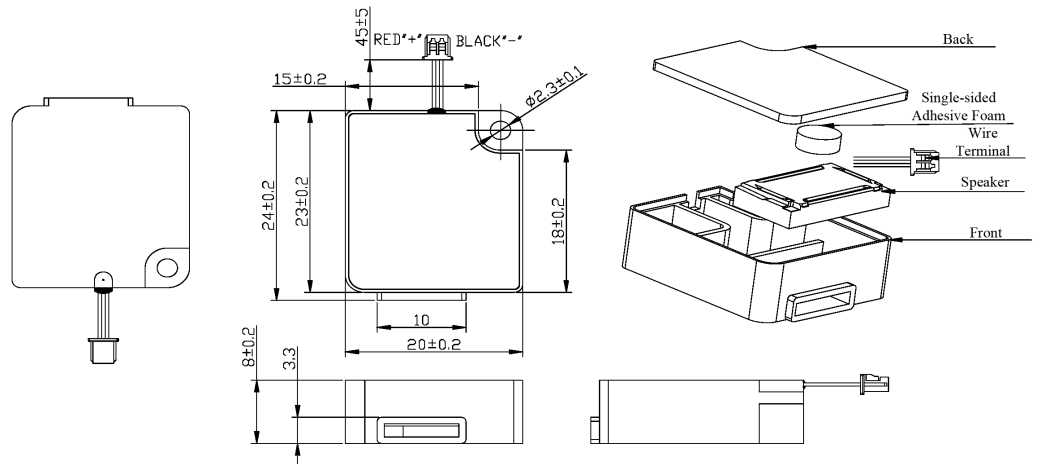
Speaker Box Frame	PC540
Speaker Frame	PPA
Diaphragm	PEEK
Magnet	NdFeB
Wires	UL1571, 30AWG
Connector	JST SHR-02V-S-B
Crimp Terminal	SSH-003T-P0.2

TEMPERATURE RANGES

Operating	-20 to +70 °C
Storage	-40 to +85 °C

Weight	3.1 g
Number of Magnets	1
Speaker Part #	CS16-00P85-03-6

Unit:mm±0.2



All Measurements are mm unless noted otherwise.

Revision	Description	By	Date
0-2020	Initial Specification Sheet	JL	2020-04-24
1-2021	Updated callout from Min SPL to Rated SPL.	CT	2021-03-08

Warranty: For a period of one (1) year from date of shipping under normal operations conditions. This warranty does not apply to products damaged through misuse, abuse, improper installation, alteration, rework, or attempt to repair.

The information contained herein is believed to be correct, but no guarantee or warranty, express or implied, with respect to accuracy, completeness or results is extended and no liability is assumed. Challenge Electronics reserves the right to make changes in any specification, data or material contained herein.

©2021 Challenge Electronics, Inc. Pub. 20210308150712