

CAC31-02W98-09-1X

Rev. 0-2025
RoHS3 & REACH
IPX5
Chamber Assembly



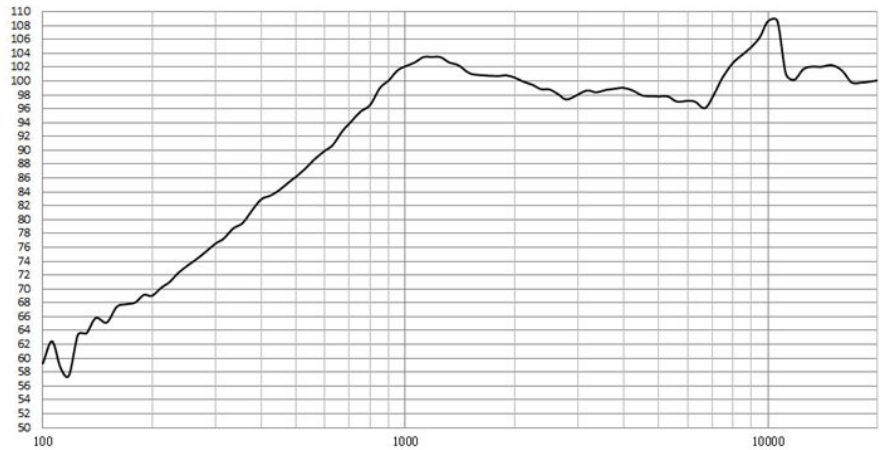
Operating Characteristics

ELECTRICAL

Rated Power	2 W
Short Term Max Power	2.5 W
Impedance	4 Ω ± 20 % 2,000 Hz; 2 W

ACOUSTIC

f_0	980 Hz ± 15 % 2W; 10cm
Freq. Range	833 to 20,000 Hz
Rated SPL	101 ± 3 dB
Test Conditions	800, 1,000, 1,500, 2,000 Hz; 2 W; 10 cm
Distortion	<10 % 2,000 Hz; 2 W



Physical Characteristics

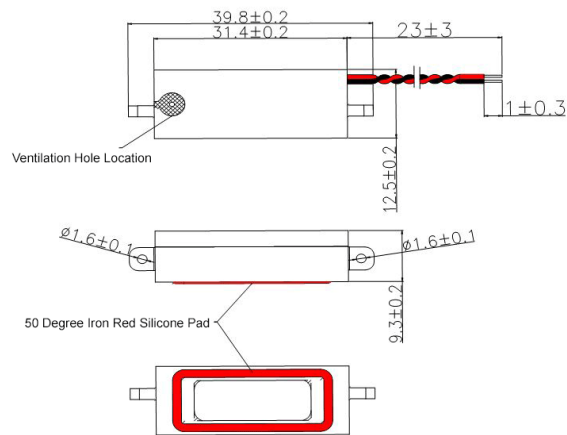
MATERIALS

Speaker Box Frame	PC110
Speaker Frame	PPA
Diaphragm	PEEK
Magnet	NdFeB
Wire	UL1571, 30AWG

TEMPERATURE RANGES

Operating	-20 to +60 °C
Storage	-40 to +80 °C

Weight	4.3 g
Speaker Part #	CS23-02P100-03-4X



General tolerance = ±0.3 mm and all measurements in mm unless otherwise noted.

Revision	Description	By	Date
0-2025	Original Specification	KG	2025-02-18

Warranty: For a period of one (1) year from date of shipping under normal operations conditions. This warranty does not apply to products damaged through misuse, abuse, improper installation, alteration, rework, or attempt to repair.

The information contained herein is believed to be correct, but no guarantee or warranty, express or implied, with respect to accuracy, completeness or results is extended and no liability is assumed. Challenge Electronics reserves the right to make changes in any specification, data or material contained herein.