

# CAC32-01W128-06-1

 Rev. 0-2023  
 RoHS3 & REACH  
 Chamber Assembly

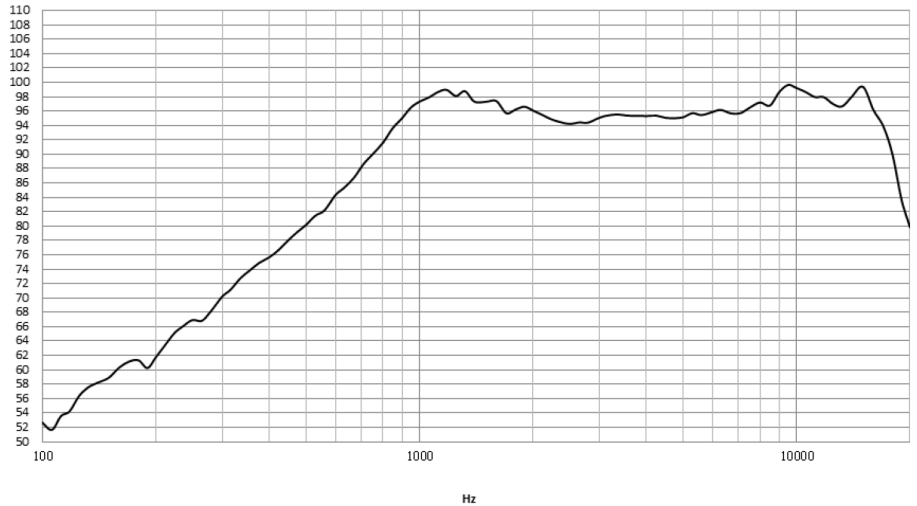

## Operating Characteristics

### ELECTRICAL

Rated Power	1 W
Short Term Max Power	1.3 W
Impedance	8 Ω ± 15 % 2000 Hz; 1 W

### ACOUSTIC

$f_0$	1280 Hz ± 20 % 1 W, 10 cm
Freq. Range	1280 to 20000 Hz
Rated SPL	97 ± 3 dB
Test Conditions	2000 Hz; 1 W; 10 cm;
Distortion	Max 10 % 2000 Hz; 1 W



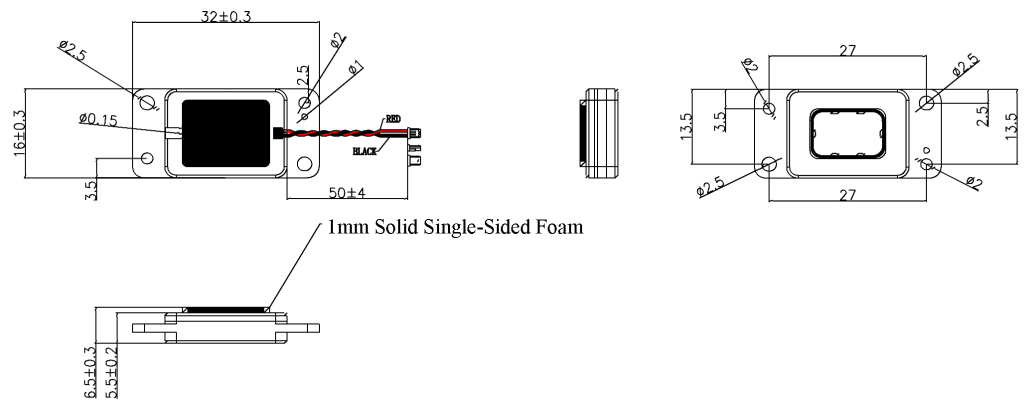
## Physical Characteristics

### MATERIALS

Speaker Box Frame	PC1414
Speaker Frame	PPA
Diaphragm	PEEK
Magnet	NdFeB
Connector	Molex 51021-0200
Wire	UL1571, 30AWG

### TEMPERATURE RANGES

Operating	-40 to +75 °C
Storage	-40 to +85 °C



General tolerance = ±0.2 mm and all measurements in mm unless otherwise noted.

Weight	3.7 g
Number of Magnets	1
Speaker Part #	CS15-01P95-03-1X

Revision	Description	By	Date
0-2023	Original Specification	JL	2023-04-12

Warranty: For a period of one (1) year from date of shipping under normal operations conditions. This warranty does not apply to products damaged through misuse, abuse, improper installation, alteration, rework, or attempt to repair.

The information contained herein is believed to be correct, but no guarantee or warranty, express or implied, with respect to accuracy, completeness or results is extended and no liability is assumed. Challenge Electronics reserves the right to make changes in any specification, data or material contained herein.