

CAC40-02W100-15-1X

 Rev. 1-2021
 RoHS3 & REACH
 IP67
 Chamber Assembly

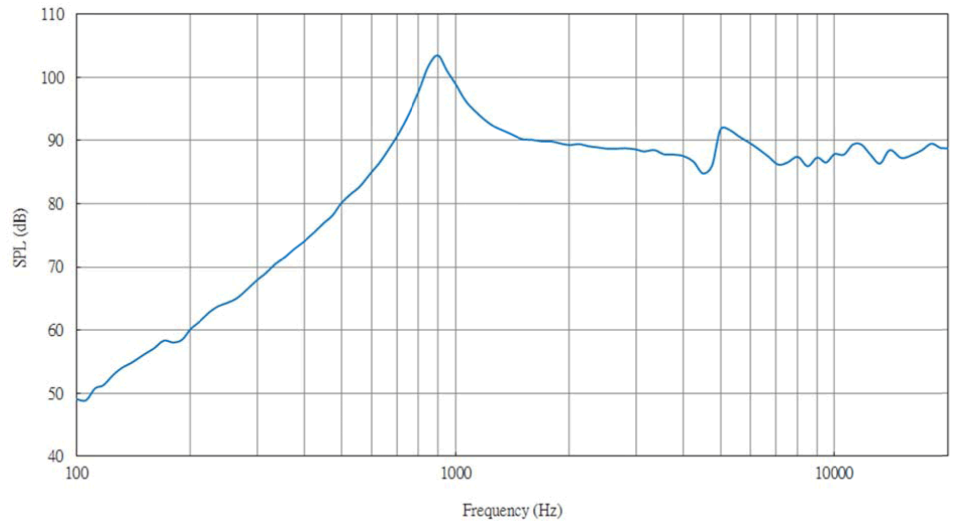

Operating Characteristics

ELECTRICAL

Rated Power	2 W
Short Term Max Power	3 W
Impedance	4 Ω ± 15 % 1000 Hz; 0.1 W

ACOUSTIC

f_o	1000 Hz ± 20 % 0.1 W
Freq. Range	200 to 20000 Hz
Rated SPL	95 ± 3 dB
Test Conditions	800, 1000, 1200, 1500 Hz; 0.1 W; 10 cm;
Distortion	Max 10 % 2000 Hz; 0.1 W



Physical Characteristics

MATERIALS

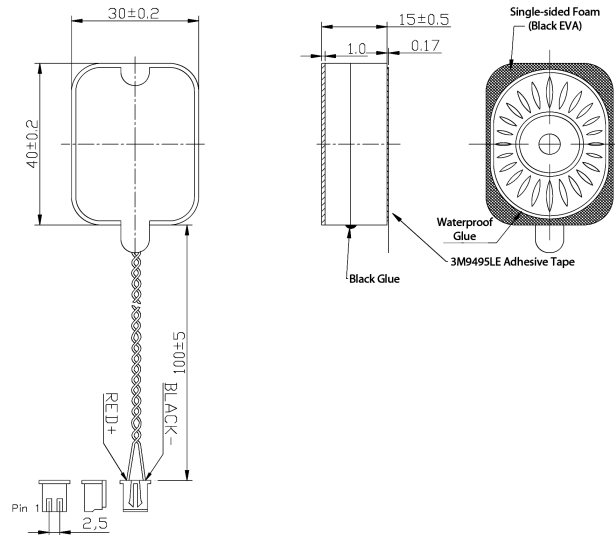
Speaker Box Frame	PBT
Speaker Frame	PBT+SPCC
Diaphragm	PEI
Magnet	NdFeB
Wires	UL1571, 26AWG
Connector	JST: XHP-2

TEMPERATURE RANGES

Operating	-40 to +70 °C
Storage	-40 to +80 °C

Weight	12 g
Number of Magnets	1
Speaker Part #	CS40-02P65-06-1X

Unless otherwise specified, tolerance: ± 0.5 (unit:mm)



All Measurements are mm unless noted otherwise.

Revision	Description	By	Date
0-2020	Original Specification	JL	2020-05-20
1-2021	Updated callout from Min SPL to Rated SPL.	CT	2021-03-08

Warranty: For a period of one (1) year from date of shipping under normal operations conditions. This warranty does not apply to products damaged through misuse, abuse, improper installation, alteration, rework, or attempt to repair.

The information contained herein is believed to be correct, but no guarantee or warranty, express or implied, with respect to accuracy, completeness or results is extended and no liability is assumed. Challenge Electronics reserves the right to make changes in any specification, data or material contained herein.

©2021 Challenge Electronics, Inc. Pub. 20210308153011