

## CAC42-02W95-37-1

Rev. 0-2026  
RoHS3 & REACH  
Chamber Assembly



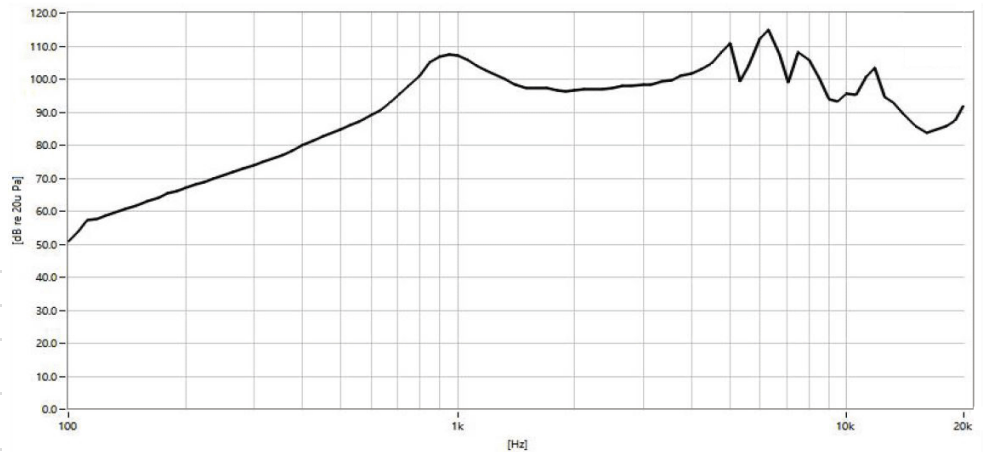
### Operating Characteristics

#### ELECTRICAL

Rated Power	2 W
Short Term Max Power	2.5 W
Impedance	4 Ω ± 15 % 2,000 Hz; 0.25 W

#### ACOUSTIC

$f_0$	950 Hz ± 20 % 0.25 W
Freq. Range	760 to 20,000 Hz
Rated SPL	101 ± 3 dB
Test Conditions	800, 1,000, 1,200, 1,500 Hz; 1 W; 10 cm
Distortion	< 10 % 2,000 Hz; 2 W



### Physical Characteristics

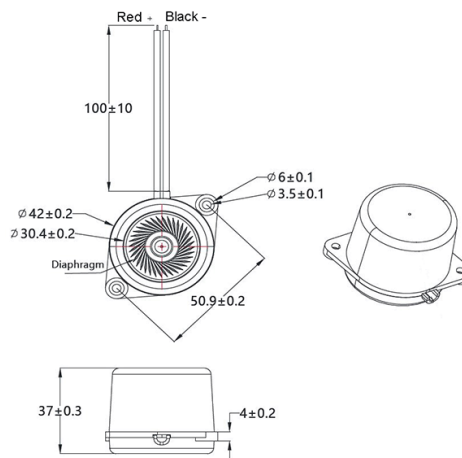
#### MATERIALS

Chamber Housing	ABS777D
Speaker Housing	SPCC
Diaphragm	PEN
Magnet	NdFeB
Wire	UL1571, 28AWG

#### TEMPERATURE RANGES

Operating	-30 to +70 °C
Storage	-40 to +85 °C

Weight	25.6 g
Speaker Part #	CS36-01W75-04-1



General tolerance = ±0.5 mm and all measurements in mm unless otherwise noted.

Revision	Description	By	Date
0-2026	Original Specification	KG	2026-02-24

Warranty: For a period of one (1) year from date of shipping under normal operations conditions. This warranty does not apply to products damaged through misuse, abuse, improper installation, alteration, rework, or attempt to repair.

The information contained herein is believed to be correct, but no guarantee or warranty, express or implied, with respect to accuracy, completeness or results is extended and no liability is assumed. Challenge Electronics reserves the right to make changes in any specification, data or material contained herein.