

CAC45-02W20-19-1

 Rev. 2-2024
 RoHS3 & REACH
 Chamber Assembly

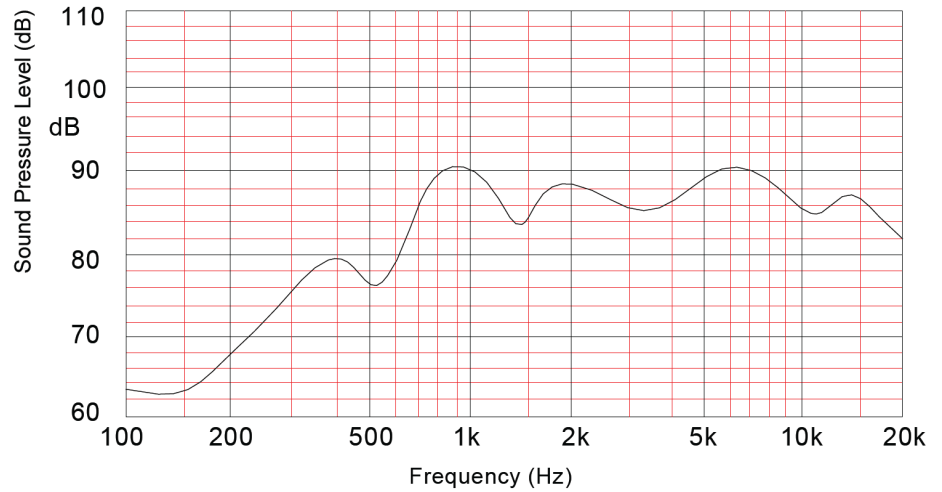

Operating Characteristics

ELECTRICAL

Rated Power	2 W
Short Term Max Power	3 W
Impedance	8 Ω \pm 15 % 2000 Hz; 0.125 W

ACOUSTIC

f_0	200 Hz \pm 20 % 0.125 W
Freq. Range	160 to 10000 Hz
Rated SPL	88 \pm 3 dB
Test Conditions	800, 1000, 1200, 1500 Hz; 0.1 W; 10 cm
Distortion	<10 % 1000 Hz; 0.1 W



Physical Characteristics

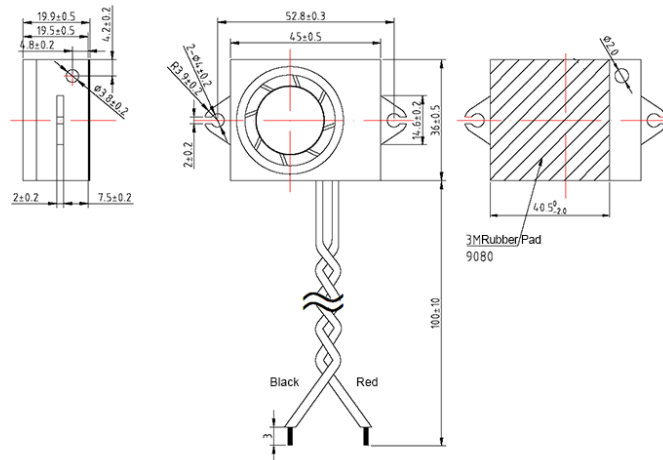
MATERIALS

Speaker Box Frame	PBT
Diaphragm	PU
Magnet	NdFeB
Wires	UL 1571, 28 AWG

TEMPERATURE RANGES

Operating	-20 to +60 °C
Storage	-30 to +70 °C

Weight 35 g


 General tolerance = ± 0.5 mm and all measurements in mm unless otherwise noted.

Revision	Description	By	Date
1-2021	Updated callout from Min SPL to Rated SPL.	CT	2021-03-08
2-2024	Mechanical drawing was updated. Updated testing conditions for the impedance, rated SPL, and distortion. The frequency range changed from $f_0 \sim 20k$ to $f_0 \sim 10k$ and the distortion changed from 5% to 10%. The storage temperature changed from 30C~70C to -20C~60C and the weight changed from 37.5g to 35g.	KG	2024-12-24

Warranty: For a period of one (1) year from date of shipping under normal operations conditions. This warranty does not apply to products damaged through misuse, abuse, improper installation, alteration, rework, or attempt to repair.

The information contained herein is believed to be correct, but no guarantee or warranty, express or implied, with respect to accuracy, completeness or results is extended and no liability is assumed. Challenge Electronics reserves the right to make changes in any specification, data or material contained herein.