

CAC50-02W85-08-1X

Rev. 1-2021
RoHS3 & REACH
IP67
Chamber Assembly



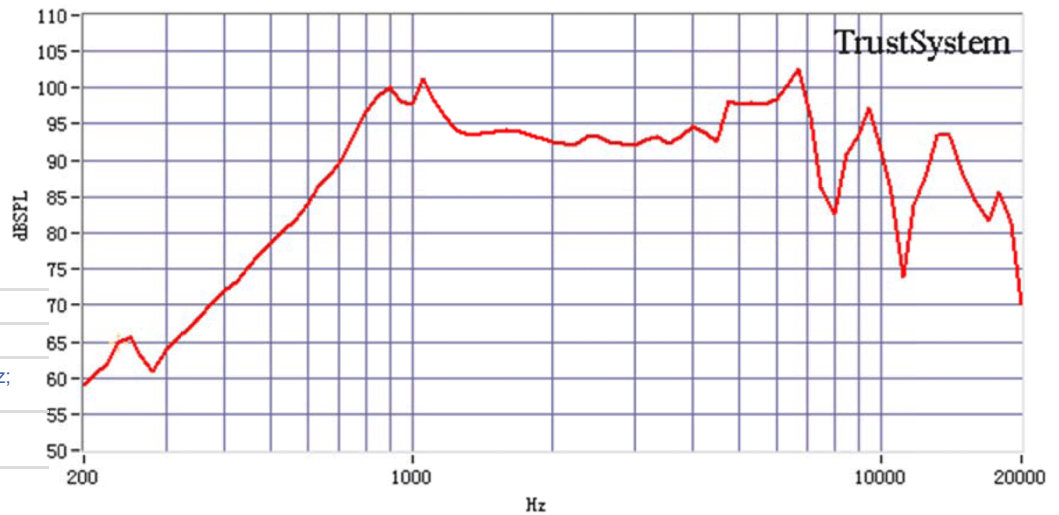
Operating Characteristics

ELECTRICAL

Rated Power	2.5 W
Short Term Max Power	3 W
Impedance	4 Ω ± 15 % 1000 Hz; 0.25 W

ACOUSTIC

f_0	850 ± 100 Hz 0.25 W
Freq. Range	850 to 20000 Hz
Rated SPL	95 ± 3 dB
Test Conditions	800, 1000, 1200, 1500 Hz; 0.1 W; 10 cm;
Distortion	Max 5 % 1000 Hz; 0.1 W



Physical Characteristics

MATERIALS

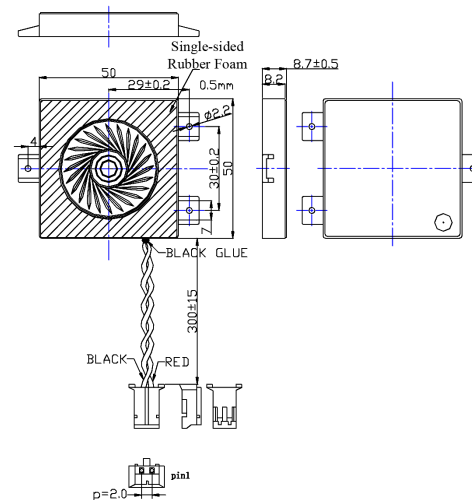
Speaker Box Frame	ABS
Speaker Frame	Steel
Diaphragm	PEI
Magnet	NdFeB
Wires	UL1061, 26 AWG
Connector	JST PHR-2 Or Eq.

TEMPERATURE RANGES

Operating	-40 to +85 °C
Storage	-40 to +85 °C

Weight	20 g
Number of Magnets	1
Speaker Part #	CS40-02P45-05-1

Unless otherwise specified, tolerance: ±0.3(unit: mm)



All Measurements are mm unless noted otherwise.

Revision	Description	By	Date
0-2020	Initial Specification Sheet	JL	2020-04-21
1-2021	Updated callout from Min SPL to Rated SPL.	CT	2021-03-08

Warranty: For a period of one (1) year from date of shipping under normal operations conditions. This warranty does not apply to products damaged through misuse, abuse, improper installation, alteration, rework, or attempt to repair.

The information contained herein is believed to be correct, but no guarantee or warranty, express or implied, with respect to accuracy, completeness or results is extended and no liability is assumed. Challenge Electronics reserves the right to make changes in any specification, data or material contained herein.
©2021 Challenge Electronics, Inc. Pub. 20210308153518