

INDICATORS • SPEAKERS • SOUND TRANSDUCERS • ENCLOSURES • MICROPHONES • BATTERY ACCESSORIES

CAC57-01W85-05-1

Former P/N: CAC57W-0185-051

Rev. 0-2018
RoHS3 & REACH
Chamber Assembly

Operating Characteristics

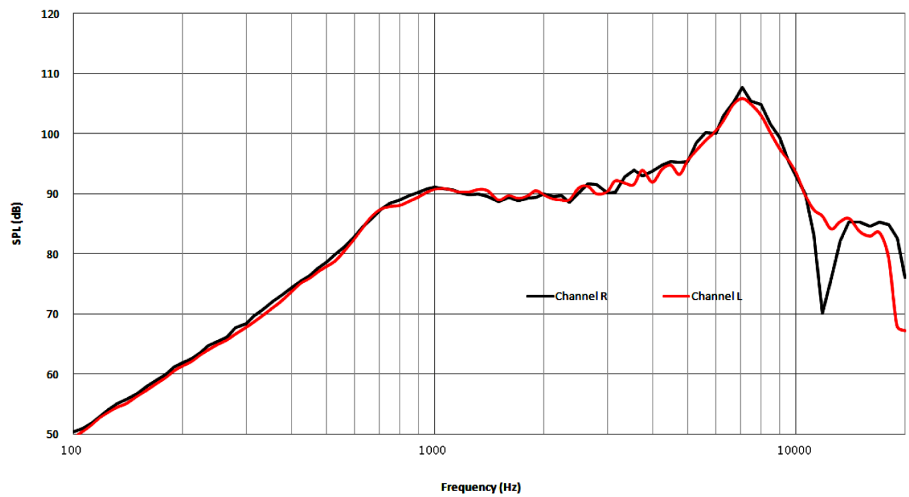
ELECTRICAL

Rated Power	1 W
Short Term Max Power	1.2 W
Impedance	6 Ω ± 20 % Hz; W

ACOUSTIC

f_0	850 Hz ± 20 %
Freq. Range	850 to 20000 Hz
Min SPL	89 ± 3 dB
Test Conditions	800, 1000, 1500, 2000 Hz; 10 cm;
Distortion	<10 % 2000 Hz; 1 W

2. 45Vrms/10cm



Physical Characteristics

MATERIALS

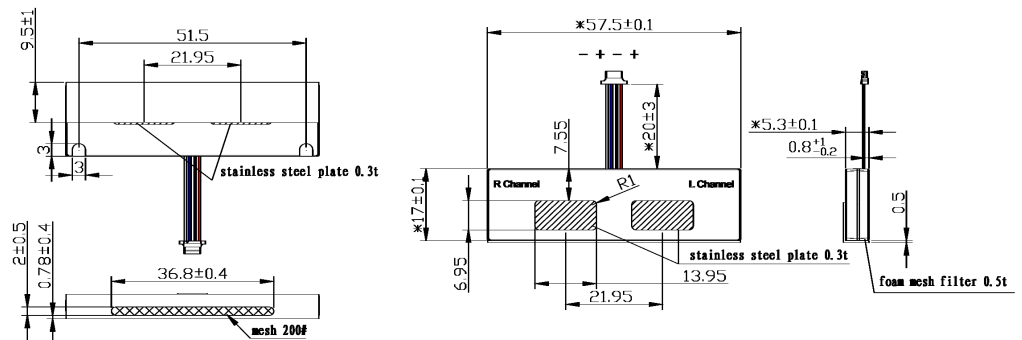
Speaker Box Frame	PC+ABS C6200
Speaker Frame	PPA
Cone	PEEK
Magnet	NdFeB
Wire	UL 3302, 30 AWG
Connector	0800H-04E-46

TEMPERATURE RANGES

Operating	-30 to +70 °C
Storage	-40 to +85 °C

Weight	6.8 g
Number of Magnets	1
Speaker Part #	CS16O-0085-031

Unit:mm ±0.2



Revision	Description	By	Date
0-2018	Initial Specification Sheet	JL	2018-11-02

Warranty: For a period of one (1) year from date of shipping under normal operations conditions This warranty does not apply to products damaged through misuse, abuse, improper installation, alteration, rework, or attempt to repair.

The information contained herein is believed to be correct, but no guarantee or warranty, express or implied, with respect to accuracy, completeness or results is extended and no liability is assumed. Challenge Electronics reserves the right to make changes in any specification, data or material contained herein.
©2019 Challenge Electronics, Inc. 20190826154347