

CAC58-02W85-10-1

Rev. 1-2021
RoHS3 & REACH
Chamber Assembly



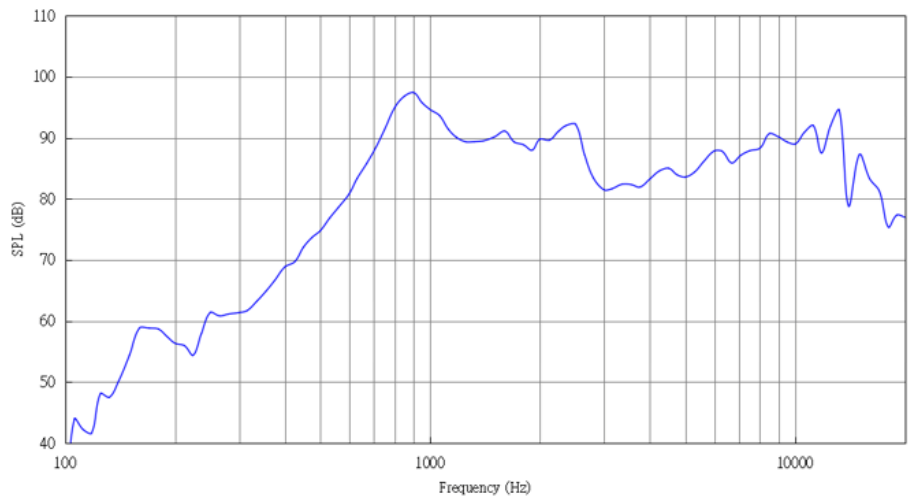
Operating Characteristics

ELECTRICAL

Rated Power	2 W
Short Term Max Power	3 W
Impedance	8 Ω ± 15 % 1500 Hz; 0.125 W

ACOUSTIC

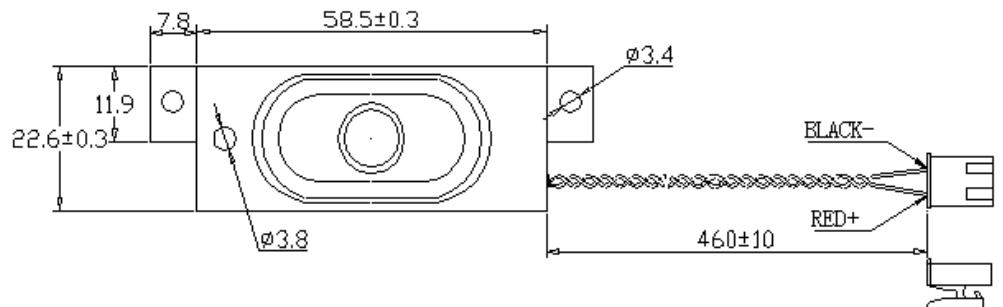
f_o	850 Hz ± 20 % 0.125 W
Freq. Range	850 to 14000 Hz
Rated SPL	92 ± 3 dB
Test Conditions	1000, 1200, 1500, 2000 Hz; 0.1 W; 10 cm;
Distortion	Max 10 % 1000 Hz; 0.1 W



Physical Characteristics

MATERIALS

Speaker Box Frame	ABS
Speaker Frame	ABS
Diaphragm	Cloth
Magnet	NdFeB
Wire	UL1571, 28AWG
Connector	A2505-H02 XHB-2Y 2Pin, Pitch 2.5



TEMPERATURE RANGES

Operating	-20 to +60 °C
Storage	-30 to +70 °C

Weight	28 g
Number of Magnets	1
Speaker Part #	CS40-01D55-08-1

All Measurements are mm unless noted otherwise.

Unless otherwise specified, tolerance: ±0.5 mm

Revision	Description	By	Date
0-2020	Original Specification	JL	2020-06-24
1-2021	Updated callout from Min SPL to Rated SPL.	CT	2021-03-08

Warranty: For a period of one (1) year from date of shipping under normal operations conditions. This warranty does not apply to products damaged through misuse, abuse, improper installation, alteration, rework, or attempt to repair.

The information contained herein is believed to be correct, but no guarantee or warranty, express or implied, with respect to accuracy, completeness or results is extended and no liability is assumed. Challenge Electronics reserves the right to make changes in any specification, data or material contained herein.
©2021 Challenge Electronics, Inc. Pub. 20210308154636