

CAC60-05W26-40-1

 Rev. 0-2026
 RoHS3 & REACH
 Chamber Assembly

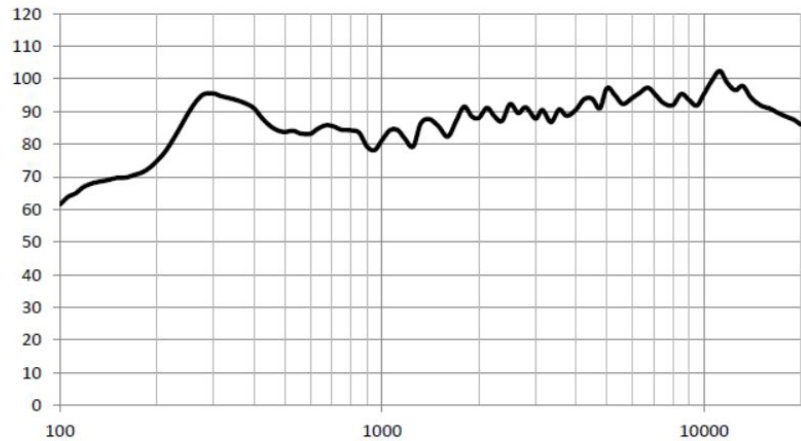

Operating Characteristics

ELECTRICAL

Rated Power	5 W
Short Term Max Power	8 W
Impedance	4 Ω ± 15 % 1,000 Hz; 0.25 W

ACOUSTIC

f_0	260 Hz ± 20 % 0.25 W
Freq. Range	208 to 20,000 Hz
Rated SPL	85 ± 3 dB
Test Conditions	800, 1,000, 1,200, 1,500 Hz; 5 W; 50 cm
Distortion	< 5 % 1,000 Hz; 1 W



Physical Characteristics

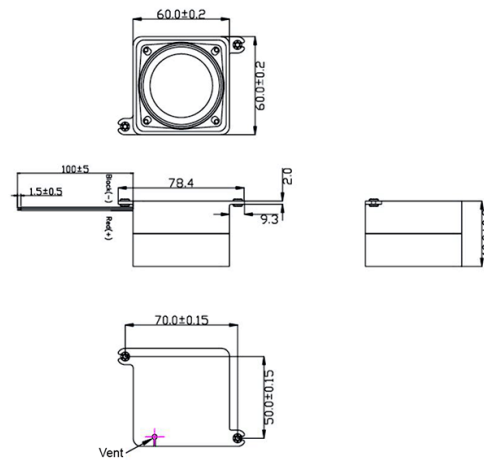
MATERIALS

Chamber Housing	ABS777D
Speaker Housing	SPCC
Diaphragm	Rubber + Paper
Magnet	NdFeB
Wire	UL3302,28AWG

TEMPERATURE RANGES

Operating	-40 to +85 °C
Storage	-40 to +85 °C

Weight	78 g
Speaker Part #	CS53-05D16-28-1



General tolerance = ±0.5 mm and all measurements in mm unless otherwise noted.

Revision	Description	By	Date
0-2026	Original Specification	KG	2026-02-24

Warranty: For a period of one (1) year from date of shipping under normal operations conditions. This warranty does not apply to products damaged through misuse, abuse, improper installation, alteration, rework, or attempt to repair.

The information contained herein is believed to be correct, but no guarantee or warranty, express or implied, with respect to accuracy, completeness or results is extended and no liability is assumed. Challenge Electronics reserves the right to make changes in any specification, data or material contained herein.