

CAC66-01W85-07-1

Rev. 1-2021
 RoHS3 & REACH
 Chamber Assembly



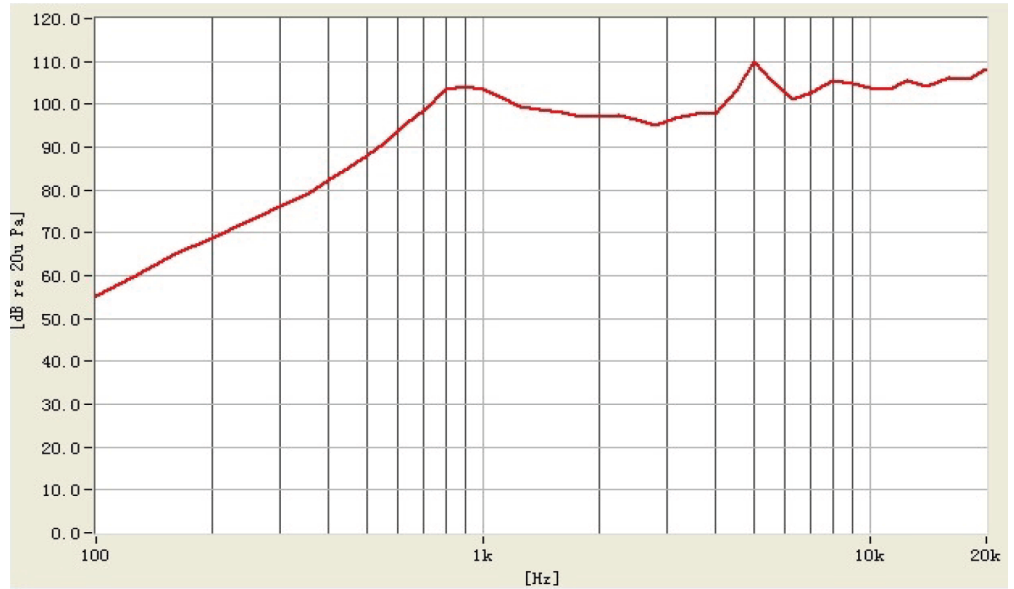
Operating Characteristics

ELECTRICAL

Rated Power	1 W
Short Term Max Power	1.5 W
Impedance	8 Ω ± 15 % 2000 Hz; 1 W

ACOUSTIC

f_0	850 Hz ± 30 % 0.125 W
Freq. Range	850 to 20000 Hz
Rated SPL	95 ± 3 dB
Test Conditions	600, 800, 1000, 1200 Hz; 0.1 W; 100 cm;
Distortion	<10 % 1000 Hz; 1 W



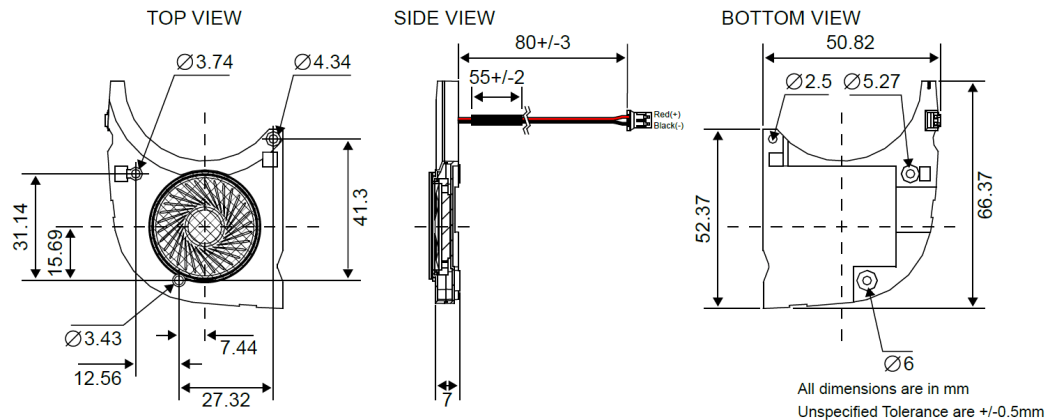
Physical Characteristics

MATERIALS

Speaker Box Frame	Plastic
Speaker	Plastic
Diaphragm	PET
Magnet	NdFeB
Wires	UL3302, 28AWG
Connector	JST: PHR-2-002
Crimp Terminal	SPH-00T-P0.5S

TEMPERATURE RANGES

Operating	-20 to +75 °C
Storage	-20 to +75 °C



All Measurements are mm unless noted otherwise.

Weight	9.5 g
Number of Magnets	1
Speaker Part #	CS28-01P56-04-1

Revision	Description	By	Date
0-2020	Initial Specification Sheet	JL	2020-04-24
1-2021	Updated callout from Min SPL to Rated SPL.	CT	2021-03-08

Warranty: For a period of one (1) year from date of shipping under normal operations conditions. This warranty does not apply to products damaged through misuse, abuse, improper installation, alteration, rework, or attempt to repair.

The information contained herein is believed to be correct, but no guarantee or warranty, express or implied, with respect to accuracy, completeness or results is extended and no liability is assumed. Challenge Electronics reserves the right to make changes in any specification, data or material contained herein.
 ©2021 Challenge Electronics, Inc. Pub. 20210308155210