

CAC68-01X110-07-1X

 Rev. 0-2023
 RoHS3 & REACH
 IPX7
 Chamber Assembly

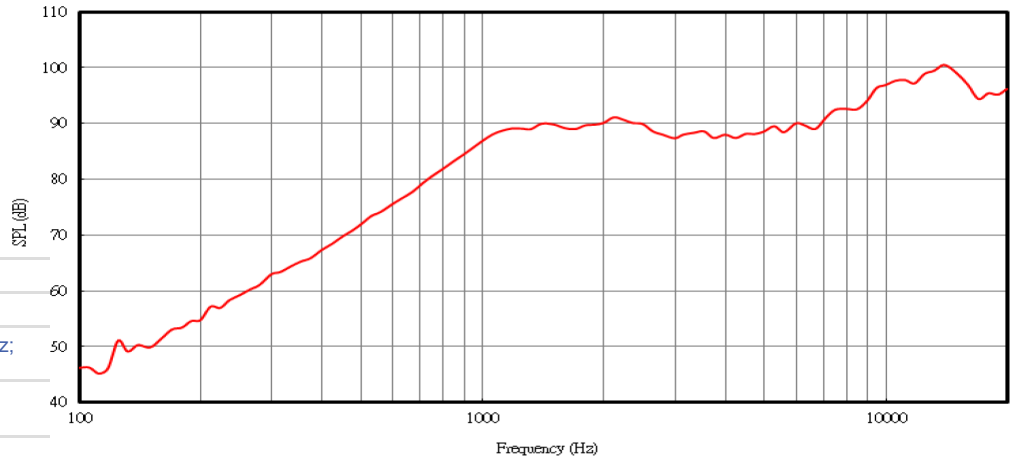

Operating Characteristics

ELECTRICAL

Rated Power	1 W
Short Term Max Power	1.2 W
Impedance	8 Ω \pm 20 % 2000 Hz; 1 W

ACOUSTIC

f_0	1100 Hz \pm 20 % 1 W
Freq. Range	1100 to 10000 Hz
Rated SPL	88 \pm 3 dB
Test Conditions	1000, 1180, 1500, 2000 Hz; 1 W; 10 cm;
Distortion	Max 10 % 2000 Hz; 1 W



Physical Characteristics

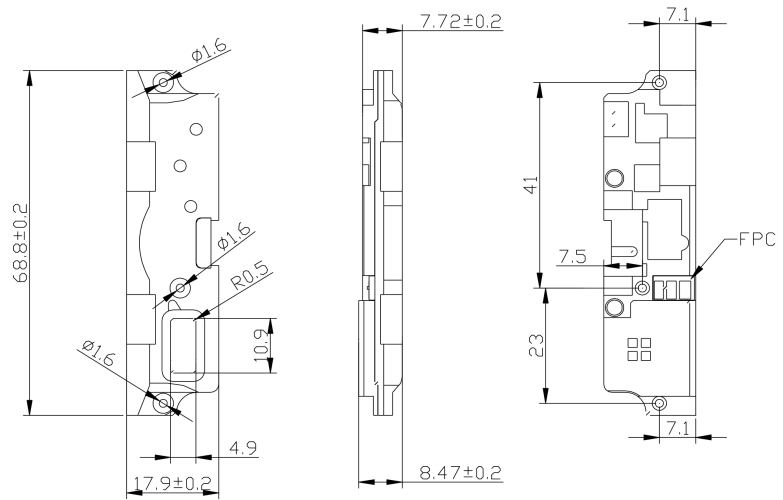
MATERIALS

Speaker Box Frame	PC540
Speaker Frame	PPA
Diaphragm	PEEK
Magnet	NdFeB
FPC	Gold Plated Copper

TEMPERATURE RANGES

Operating	-20 to +70 °C
Storage	-40 to +85 °C

Weight	4.3 g
Number of Magnets	1
Speaker Part #	CS16-01R95-03-2X


 General tolerance = ± 0.2 mm and all measurements in mm unless otherwise noted.

Revision	Description	By	Date
0-2023	Original Specification	JL	2023-04-12

Warranty: For a period of one (1) year from date of shipping under normal operations conditions. This warranty does not apply to products damaged through misuse, abuse, improper installation, alteration, rework, or attempt to repair.

The information contained herein is believed to be correct, but no guarantee or warranty, express or implied, with respect to accuracy, completeness or results is extended and no liability is assumed. Challenge Electronics reserves the right to make changes in any specification, data or material contained herein.