

CAC80-03W55-14-1

Rev. 1-2021
RoHS3 & REACH
Chamber Assembly



Operating Characteristics

ELECTRICAL

Rated Power	3.0 W
Short Term Max Power	3.5 W
Impedance	8 Ω ± 15 % 1000 Hz; 0.125 W

ACOUSTIC

f_o	550 Hz ± 20 % 0.125 W
Freq. Range	200 to 20000 Hz
Rated SPL	100 ± 3 dB
Test Conditions	1000, 1200, 1500, 1800 Hz; 2 W; 10 cm;
Distortion	Max 5 % 1000 Hz; 0.125 W



Mode: TSR



Physical Characteristics

MATERIALS

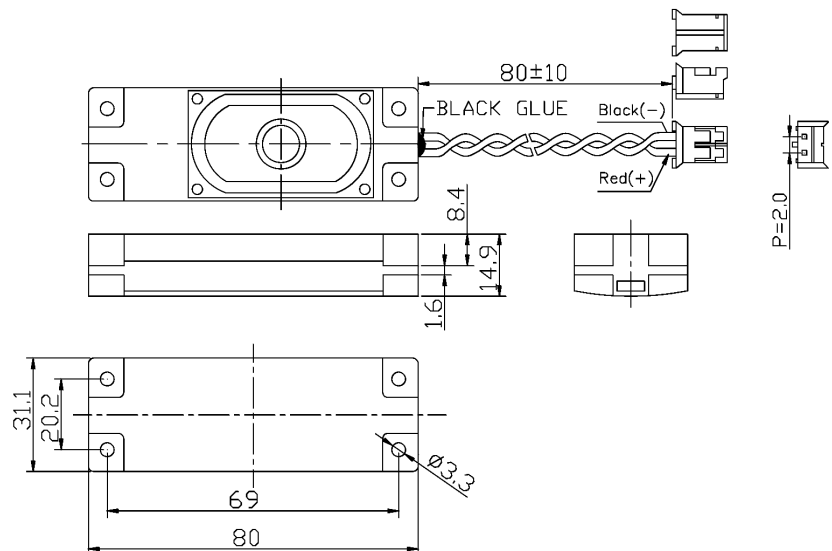
Speaker Box Frame	ABS
Speaker Frame	ABS
Diaphragm	Cloth
Magnet	NdFeB
Wire	UL1061, 26AWG, VW-1
Connector	JST: PHR-2 Or Eq.

TEMPERATURE RANGES

Operating	-20 to +60 °C
Storage	-30 to +60 °C

Weight	55 g
Number of Magnets	1
Speaker Part #	CS40-02D45-11-1

Unless otherwise specified, tolerance: ± 0.5 (unit:mm)



All Measurements are mm unless noted otherwise.

Revision	Description	By	Date
0-2020	Initial Specification Sheet	JL	2020-04-23
1-2021	Updated callout from Min SPL to Rated SPL.	CT	2021-03-08

Warranty: For a period of one (1) year from date of shipping under normal operations conditions. This warranty does not apply to products damaged through misuse, abuse, improper installation, alteration, rework, or attempt to repair.