

INDICATORS • SPEAKERS • SOUND TRANSDUCERS • ENCLOSURES • MICROPHONES • BATTERY ACCESSORIES

CAB33PC-01S-1

Former P/N: CH-006-2032LF

Rev. 2-2019
RoHS3 & REACH
Battery Assembly



Physical Characteristics

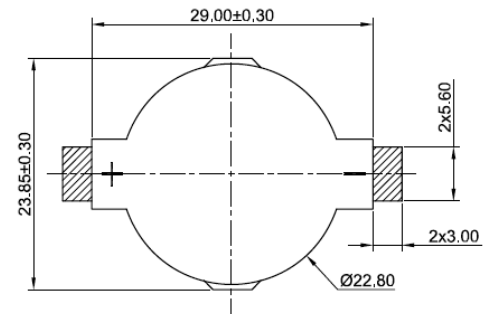
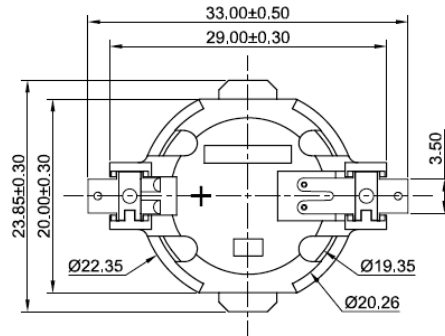
MATERIALS

Housing LCP +30%GF, UL94VO White
Contact Phosphor Bronze, Gold Plated over Nickel

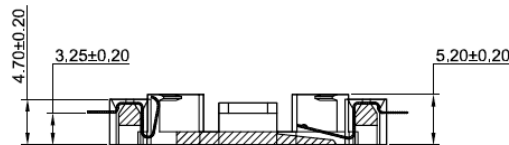
TEMPERATURE RANGES

Operating -55 to +85 °C
Storage -55 to +85 °C

Cell Type Plastic Coin Holder, or equivalent



PCB MOUNTING LAYOUT



Revision	Description	By	Date
2-2019	Migrate to new format	JL	2019-03-26

Warranty: For a period of one (1) year from date of shipping under normal operations conditions This warranty does not apply to products damaged through misuse, abuse, improper installation, alteration, rework, or attempt to repair.

The information contained herein is believed to be correct, but no guarantee or warranty, express or implied, with respect to accuracy, completeness or results is extended and no liability is assumed. Challenge Electronics reserves the right to make changes in any specification, data or material contained herein.
©2019 Challenge Electronics, Inc. 20190826154357