

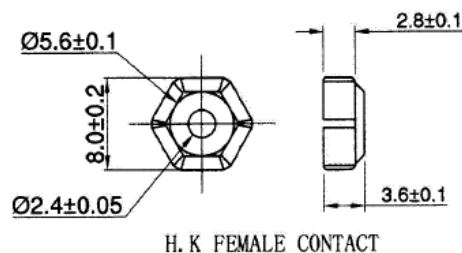
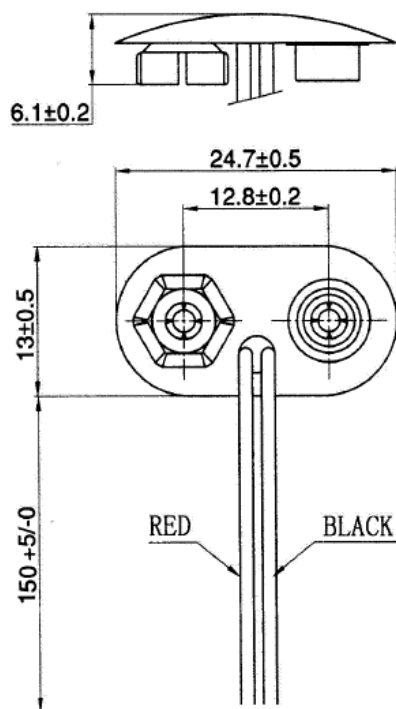


PRODUCT INFORMATION

PART #	BS-EC	Revision: 0-2012
	9 V Cell Connector, PVC Vinyl, "E" Style	
ISO 9001		

SPECIFICATIONS					
Battery (Cell) Type	9V		Number of Cells		1
Cell Configuration	Series Connection		Output Voltage		9 Vdc
Operating Temperature	-20°C to + 65°C		Storage Temperature		-30°C to +85°C
Material	Case	Plastic, ABS Resin, Black		Washer	
	Contact	6 Prongs Snap Terminal			
	Termination	Wire Leads, 26 AWG, UL 1007, Stranded, 150 ± 5 mm, Stripped and Tinned 5 ± 1 mm			
Physical Dimensions	Length (L)	24.7 mm	Width (W)	13 mm	Height (H) 6.1 mm
Approximate Weight	grams		Compliance	RoHS	
Options					

RELIABILITY	
Insulation Test	A minimum of 10 MΩ, measured with 100 Vdc Insulation Resistance Meter, between the Electrical Terminals and the Case
Vibration Test	2 Hours of at 1.5 mm with 10 to 55 Hz. vibration frequency to each of 3 perpendicular directions
Termination Strength	Maximum of 9.8 N (1.0 Kg) load pull test, applied to each terminal in axial direction for 10 seconds
Drop Test	Dropped naturally from 750 mm height onto the surface of 40 mm wooden board, 3 axes (X,Y,Z) directions, 3 times (6 times total)
Warranty	For a period of one (1) year from date of shipping under normal operations conditions
DIMENSIONS Dimensions in mm; Tolerance ±0.5 mm	



SPECIFICATION

- (1) PART NO: BS-EC
- (2) WIRE: UL1430 AWG#26
BLACK & RED : 150 MM+5/-0MM
- (3) WITH 6 PRONG SNAP BRASS NICKEL PLATED
- (4) MATERIAL: PVC COVER 0.28 MM THK, BLACK COLOR
- (5) ROHS COMPLIANT