

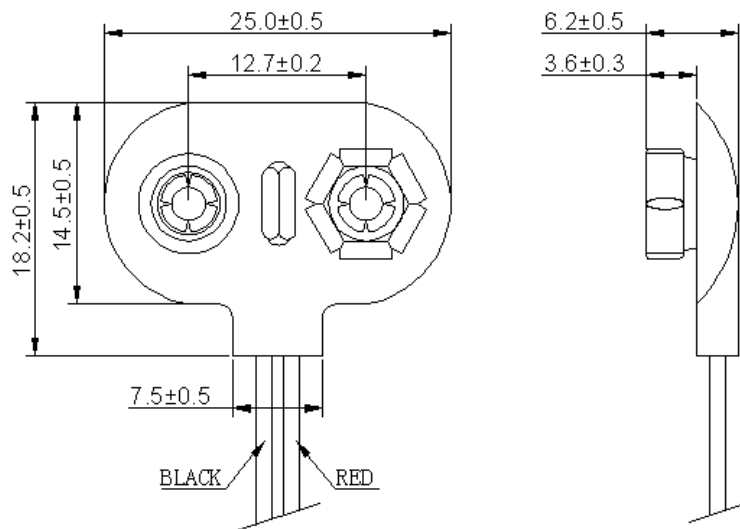




PRODUCT INFORMATION

PART #	BS-TCA				Revision: 0-2012	
	<h2>9 V Cell Connector</h2>					
ISO 9001						
SPECIFICATIONS						
Battery (Cell) Type	9V		Number of Cells		1	
Cell Configuration	Series Connection		Output Voltage		9 Vdc	
Operating Temperature	-20°C to + 65°C		Storage Temperature		-30°C to +85°C	
Material	Case	Plastic, ABS Resin, Black		Washer		
	Contact	6 Prongs Snap Terminal				
	Termination	Wire Leads, 26 AWG, UL 1007, Stranded, 150 ± 5 mm, Striped and Tined 5 ± 1 mm				
Physical Dimensions	Length (L)	25.0 mm	Width (W)	18.0 mm	Height (H)	6.2 mm
Approximate Weight	grams		Compliance	RoHS		
Options						
RELIABILITY						
Insulation Test	A minimum of 10 MΩ, measured with 100 Vdc Insulation Resistance Meter, between the Electrical Terminals and the Case					
Vibration Test	2 Hours of at 1.5 mm with 10 to 55 Hz. vibration frequency to each of 3 perpendicular directions					
Termination Strength	Maximum of 9.8 N (1.0 Kg) load pull test, applied to each terminal in axial direction for 10 seconds					
Drop Test	Dropped naturally from 750 mm height onto the surface of 40 mm wooden board, 3 axes (X,Y,Z) directions, 3 times (6 times total)					
Warranty	For a period of one (1) year from date of shipping under normal operations conditions					
DIMENSIONS	Dimensions in mm; Tolerance ±0.5 mm					



The information contained herein is believed to be correct, but no guarantee or warranty, express or implied, with respect to accuracy, completeness or results is extended and no liability is assumed. Challenge Electronics reserves the right to make changes in any specification, data or material contained herein.

Copyright © 2012 Challenge Electronics