



PRODUCT INFORMATION

PART #	BH-311-1D	Revision: 1-2012
---------------	------------------	-------------------------

	1 AA Battery Holder	Image not available
ISO 9001		

SPECIFICATIONS

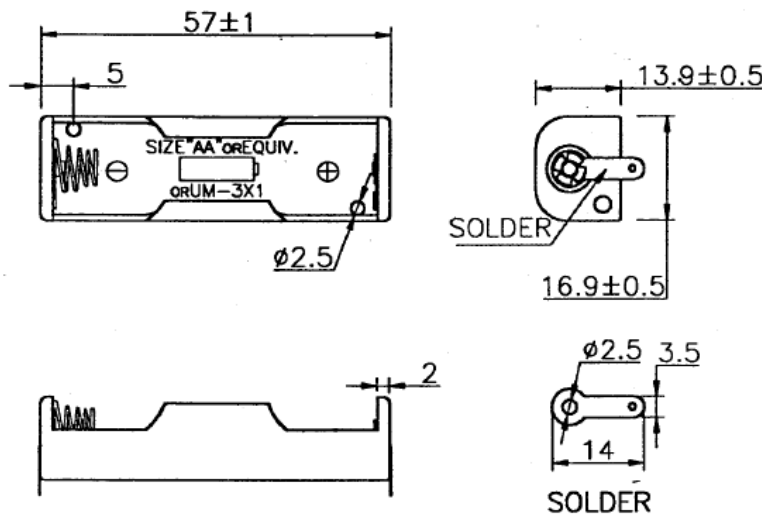
Battery (Cell) Type	AA		Number of Cells	1	
Cell Configuration	Series Connection		Output Voltage	1.5 Vdc	
Operating Temperature	-20°C to + 65°C		Storage Temperature	-30°C to +85°C	
Material	Case	Plastic, PP Resin, Black		Washer	
	Contact	Springs, 0.6 mm, 65C Spring Wire			
	Termination	Solder Lug			
Physical Dimensions	Length (L)	57.0 mm	Width (W)	16.9 mm	Height (H) 13.9 mm
Approximate Weight	grams		Compliance	RoHS	
Options					

RELIABILITY

Insulation Test	A minimum of 10 MΩ, measured with 100 Vdc Insulation Resistance Meter, between the Electrical Terminals and the Case
Vibration Test	2 Hours of at 1.5 mm with 10 to 55 Hz. vibration frequency to each of 3 perpendicular directions
Termination Strength	Maximum of 9.8 N (1.0 Kg) load pull test, applied to each terminal in axial direction for 10 seconds
Drop Test	Dropped naturally from 750 mm height onto the surface of 40 mm wooden board, 3 axes (X,Y,Z) directions, 3 times (6 times total)
Warranty	For a period of one (1) year from date of shipping under normal operations conditions

DIMENSIONS

Dimensions in mm; Tolerance ±0.5 mm



SPECIFICATION

- (1) ITEM NO: BH-311-1D
- (2) WITH SOLDER TERMINAL
- (3) MATERIAL: P.P. RESIN, BLACK COLOR
- (4) SPRING: 0.6MM 65C SPRING WIRE