



PRODUCT INFORMATION

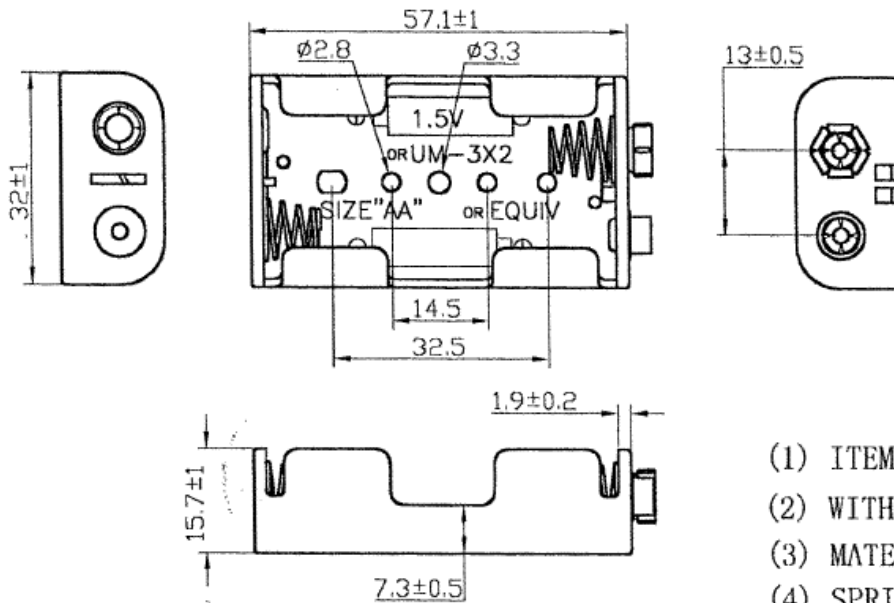
PART #	BH-321-1B	Revision: 0-2012
---------------	------------------	-------------------------

 ISO 9001	<h2 style="font-size: 24px;">2 AA Batteries Holder</h2>	Image not available
---------------------	---	---------------------

SPECIFICATIONS					
Battery (Cell) Type	AA	Number of Cells	2		
Cell Configuration	Series Connection	Output Voltage	3 Vdc		
Operating Temperature	-20°C to + 65°C	Storage Temperature	-30°C to +85°C		
Material	Case	Plastic, PP Resin, Black		Washer	
	Contact	Springs, 0.6 mm, 65C Spring Wire			
	Termination	6-PRONG SNAP			
Physical Dimensions	Length (L)	57.1 mm	Width (W)	32.0 mm	Height (H) 15.7 mm
Approximate Weight	grams		Compliance	RoHS	
Options					

RELIABILITY	
Insulation Test	A minimum of 10 MΩ, measured with 100 Vdc Insulation Resistance Meter, between the Electrical Terminals and the Case
Vibration Test	2 Hours of at 1.5 mm with 10 to 55 Hz. vibration frequency to each of 3 perpendicular directions
Termination Strength	Maximum of 9.8 N (1.0 Kg) load pull test, applied to each terminal in axial direction for 10 seconds
Drop Test	Dropped naturally from 750 mm height onto the surface of 40 mm wooden board, 3 axes (X,Y,Z) directions, 3 times (6 times total)
Warranty	For a period of one (1) year from date of shipping under normal operations conditions

DIMENSIONS	Dimensions in mm; Tolerance ±0.5 mm
-------------------	--



SPECIFICATION

- (1) ITEM NO: BH-321-1B
- (2) WITH 6 PRONG SNAP TERMINAL
- (3) MATERIAL: P.P. RESIN, BLACK COLOR
- (4) SPRING: 0.6MM 65C SPRING WIRE