



PRODUCT INFORMATION

PART #	BH-411-3D	Revision: 0-2011
	1 AAA Batteries Holder	
ISO 9001		

SPECIFICATIONS

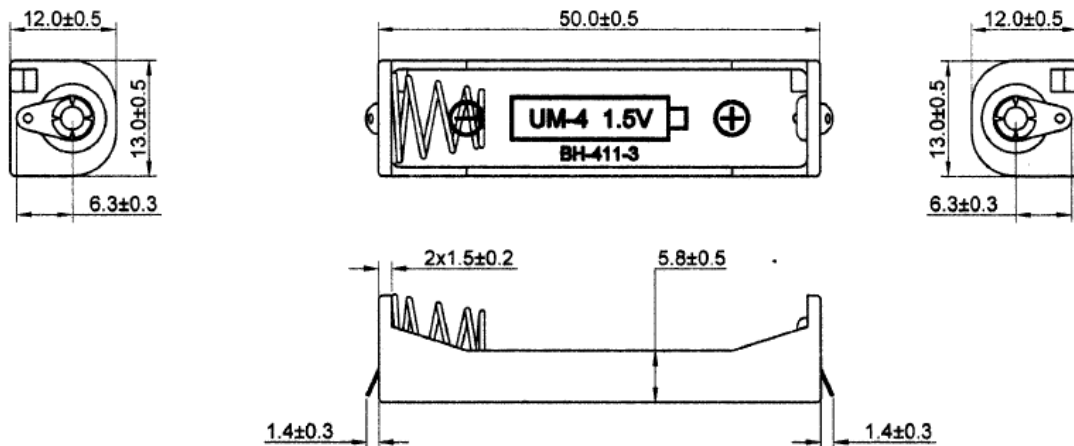
Battery (Cell) Type	AAA		Number of Cells	1		
Cell Configuration	Series Connection		Output Voltage	1.5 Vdc		
Operating Temperature	-20°C to + 65°C		Storage Temperature	-30°C to +85°C		
Material	Case	Plastic, PP Resin, Black				
	Contact	Springs — 0.6 mm, 65 C Spring Steel Nickel-plated				
	Termination	Solder Lugs				
Physical Dimensions	Length (L)	50.0 mm	Width (W)	13.0 mm	Height (H)	12.0 mm
Approximate Weight				Compliance	RoHS	
Options						

RELIABILITY

Insulation Test	A minimum of 10 MΩ, measured with 100 Vdc Insulation Resistance Meter, between the Electrical Terminals and the Case
Vibration Test	2 Hours of at 1.5 mm with 10 to 55 Hz. vibration frequency to each of 3 perpendicular directions
Termination Strength	Maximum of 9.8 N (1.0 Kg) load pull test, applied to each terminal in axial direction for 10 seconds
Drop Test	Dropped naturally from 750 mm height onto the surface of 40 mm wooden board, 3 axes (X,Y,Z) directions, 3 times (6 times total)
Warranty	For a period of one (1) year from date of shipping under normal operations conditions

DIMENSIONS

Dimensions in mm; Tolerance ±0.5 mm



SPECIFICATION

- (1) ITEM NO. : BH-411-3Ds
- (2) HOLDER MATERIAL: P. P. RESIN, BLACK COLOR
- (3) WITH SMALL SOLDER LUG, BRASS NICKEL PLATED
- (4) SPRING MATERIAL: Ø0.6MM 65C SPRING STEEL NICKEL PLATED
- (5) RIVET MATERIAL: BRASS NICKEL PLATED
- (6) RoHS COMPLIANT

