



# PRODUCT INFORMATION

<b>PART #</b>	<b>BH-411-3P14</b>	<b>Revision: 0-2013</b>
---------------	--------------------	-------------------------



## 1 AAA Batteries Holder

ISO 9001

### SPECIFICATIONS

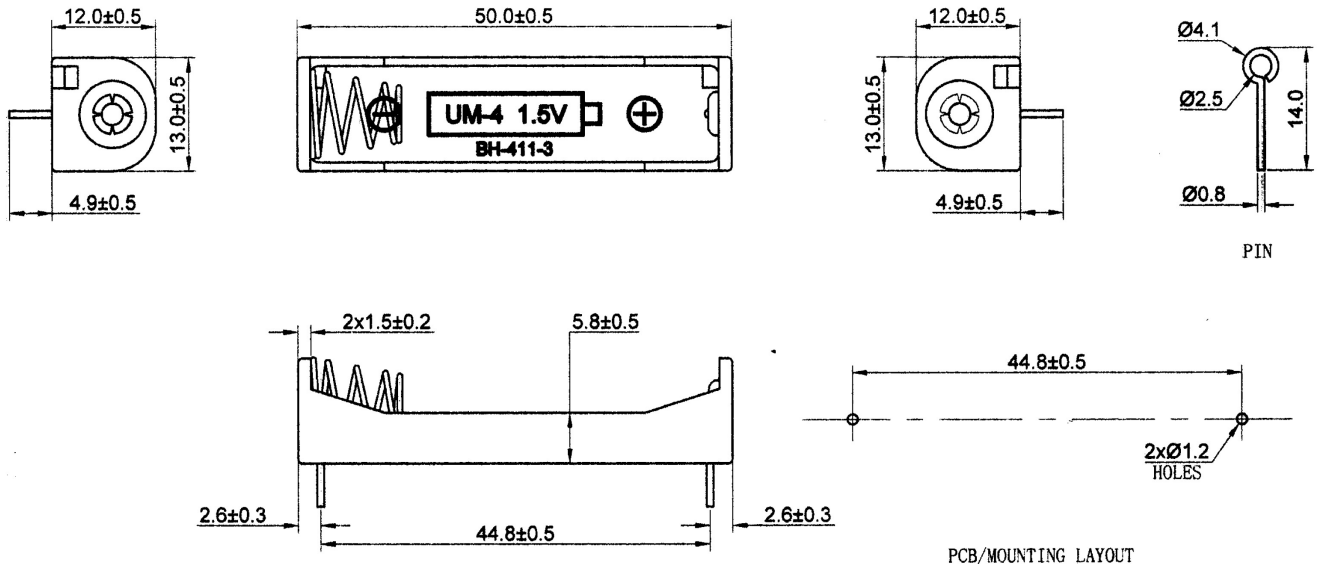
<b>Battery (Cell) Type</b>	<b>AAA</b>	<b>Number of Cells</b>	<b>1</b>			
<b>Cell Configuration</b>	<b>Series Connection</b>	<b>Output Voltage</b>	<b>1.5 Vdc</b>			
<b>Operating Temperature</b>	<b>-20°C to + 65°C</b>	<b>Storage Temperature</b>	<b>-30°C to +85°C</b>			
<b>Material</b>	<b>Case</b>	<b>Plastic, PP Resin, Black</b>				
	<b>Contact</b>	<b>Springs — 0.6 mm, 65 C nickel-plated spring steel</b>				
	<b>Termination</b>	<b>Pin Ø0.8x14 mm nickel-plated brass</b>				
<b>Physical Dimensions</b>	<b>Length (L)</b>	<b>50.0 mm</b>	<b>Width (W)</b>	<b>12.0 mm</b>	<b>Height (H)</b>	<b>13.0 mm</b>
<b>Approximate Weight</b>	<b>grams</b>		<b>Compliance</b>	<b>RoHS</b>		
<b>Options</b>						

### RELIABILITY

<b>Insulation Test</b>	A minimum of 10 MΩ, measured with 100 Vdc Insulation Resistance Meter, between the Electrical Terminals and the Case
<b>Vibration Test</b>	2 Hours of at 1.5 mm with 10 to 55 Hz. vibration frequency to each of 3 perpendicular directions
<b>Termination Strength</b>	Maximum of 9.8 N (1.0 Kg) load pull test, applied to each terminal in axial direction for 10 seconds
<b>Drop Test</b>	Dropped naturally from 750 mm height onto the surface of 40 mm wooden board, 3 axes (X,Y,Z) directions, 3 times (6 times total)
<b>Warranty</b>	For a period of one (1) year from date of shipping under normal operations conditions

### DIMENSIONS

Dimensions in mm; Tolerance ±0.5 mm



Revision	Description	By	Date
0-2013	Original Specification	Walter Sargent	8/28/2013