



PRODUCT INFORMATION

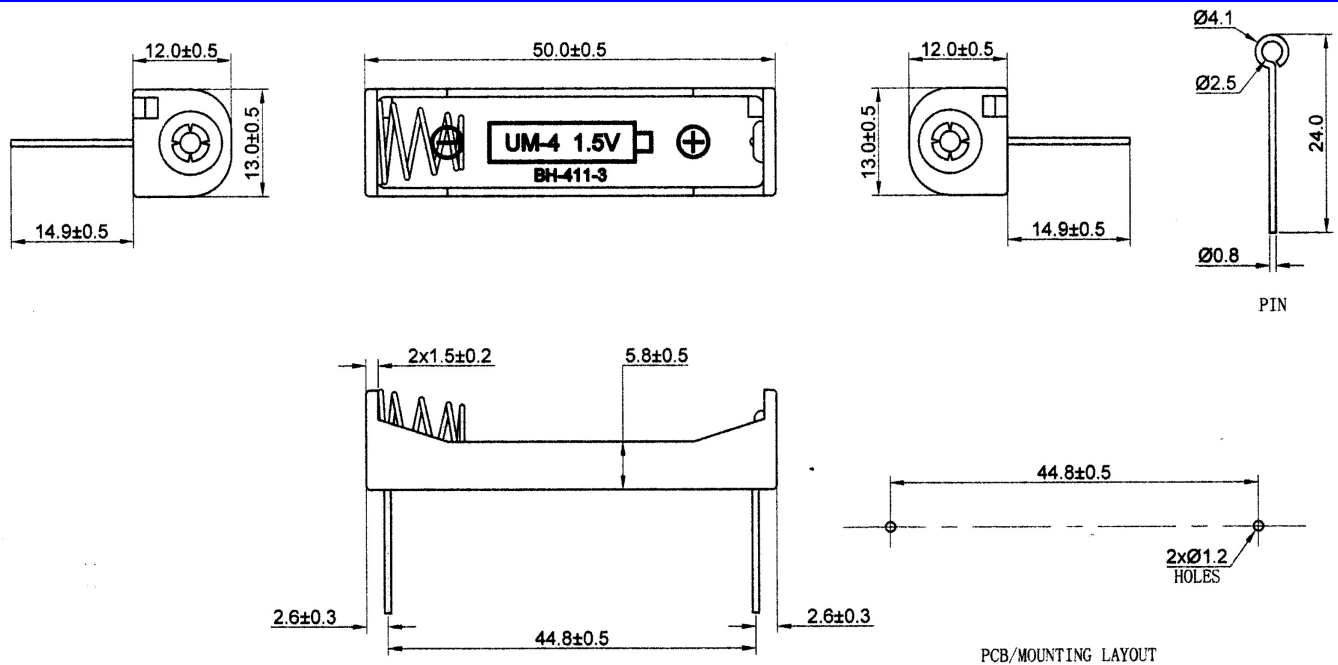
PART #	BH-411-3P24	Revision: 0-2013
---------------	--------------------	-------------------------

 ISO 9001	1 AAA Batteries Holder
---------------------	-------------------------------

SPECIFICATIONS					
Battery (Cell) Type	AAA	Number of Cells	1		
Cell Configuration	Series Connection	Output Voltage	1.5 Vdc		
Operating Temperature	-20°C to + 65°C	Storage Temperature	-30°C to +85°C		
Material	Case	Plastic, PP Resin, Black			
	Contact	Springs — 0.6 mm, 65 C nickel-plated spring steel			
	Termination	Pin Ø0.8x24 mm nickel-plated brass			
Physical Dimensions	Length (L)	50.0 mm	Width (W)	12.0 mm	Height (H) 13.0 mm
Approximate Weight	grams		Compliance	RoHS	
Options					

RELIABILITY	
Insulation Test	A minimum of 10 MΩ, measured with 100 Vdc Insulation Resistance Meter, between the Electrical Terminals and the Case
Vibration Test	2 Hours of at 1.5 mm with 10 to 55 Hz. vibration frequency to each of 3 perpendicular directions
Termination Strength	Maximum of 9.8 N (1.0 Kg) load pull test, applied to each terminal in axial direction for 10 seconds
Drop Test	Dropped naturally from 750 mm height onto the surface of 40 mm wooden board, 3 axes (X,Y,Z) directions, 3 times (6 times total)
Warranty	For a period of one (1) year from date of shipping under normal operations conditions

DIMENSIONS	Dimensions in mm; Tolerance ±0.5 mm
-------------------	--



Revision	Description	By	Date
0-2013	Original Specification	Walter Sargent	8/28/2013

The information contained herein is believed to be correct, but no guarantee or warranty, express or implied, with respect to accuracy, completeness or results is extended and no liability is assumed. Challenge Electronics reserves the right to make changes in any specification, data or material contained herein.