



# PRODUCT INFORMATION

<b>PART #</b>	<b>BH-211-1D</b>	<b>Revision: 0-2012</b>
	<b>1 C Battery Holder</b>	
<b>ISO 9001</b>		

## SPECIFICATIONS

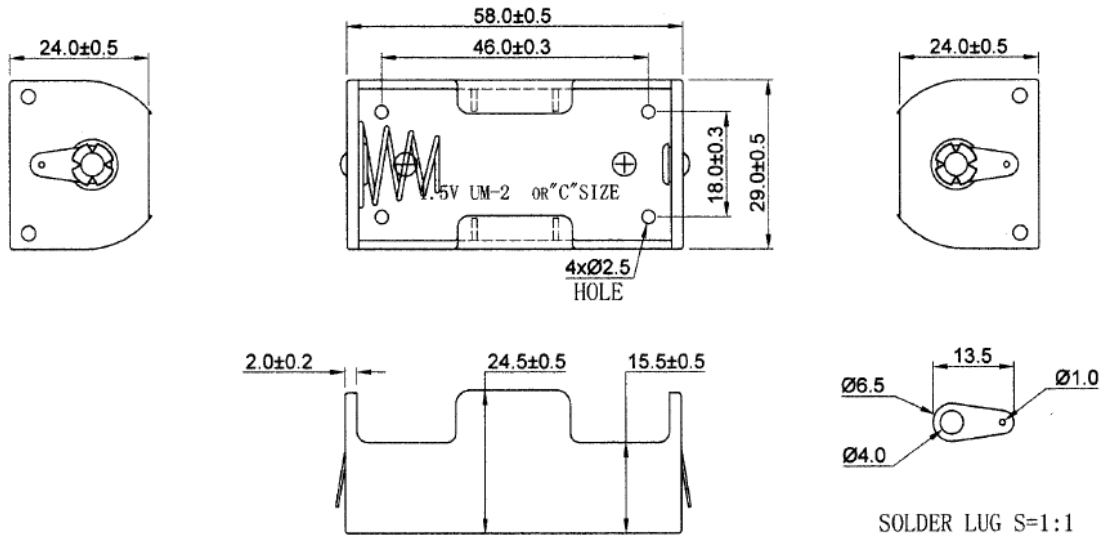
<b>Battery (Cell) Type</b>	<b>C</b>		<b>Number of Cells</b>	<b>1</b>		
<b>Cell Configuration</b>	<b>Series Connection</b>		<b>Output Voltage</b>	<b>1.5 Vdc</b>		
<b>Operating Temperature</b>	<b>-20°C to + 65°C</b>		<b>Storage Temperature</b>	<b>-30°C to +85°C</b>		
<b>Material</b>	<b>Case</b>	<b>P.P. RESIN (BLACK)</b>		<b>Washer</b>		
	<b>Contact</b>	<b>0.8MM 65C SPRING STEEL</b>				
	<b>Termination</b>	<b>SOLDER LUG</b>				
<b>Physical Dimensions</b>	<b>Length (L)</b>	<b>58.0 mm</b>	<b>Width (W)</b>	<b>29.0 mm</b>	<b>Height (H)</b>	<b>24.0 mm</b>
<b>Approximate Weight</b>				<b>Compliance</b>	<b>RoHS</b>	
<b>Options</b>						

## RELIABILITY

<b>Insulation Test</b>	A minimum of 10 MΩ, measured with 100 Vdc Insulation Resistance Meter, between the Electrical Terminals and the Case
<b>Vibration Test</b>	2 Hours of at 1.5 mm with 10 to 55 Hz. vibration frequency to each of 3 perpendicular directions
<b>Termination Strength</b>	Maximum of 9.8 N (1.0 Kg) load pull test, applied to each terminal in axial direction for 10 seconds
<b>Drop Test</b>	Dropped naturally from 750 mm height onto the surface of 40 mm wooden board, 3 axes (X,Y,Z) directions, 3 times (6 times total)
<b>Warranty</b>	For a period of one (1) year from date of shipping under normal operations conditions

## DIMENSIONS

**Dimensions in mm; Tolerance ±0.5 mm**



### SPECIFICATION

- (1) ITEM NO: BH-211-1D
- (2) MATERIAL: P. P. RESIN, BLACK COLOR
- (3) WITH BIG SOLDER LUG, BRASS NICKEL PLATED
- (4) SPRING: 0.8MM 65C SPRING STEEL  
NICKEL PLATED
- (5) RIVET: BRASS NICKEL PLATED
- (6) RoHS COMPLIANT