



PRODUCT INFORMATION

PART #	BH-221B	Revision: 0-2012
	2 C Batteries Holder	
ISO 9001		

SPECIFICATIONS

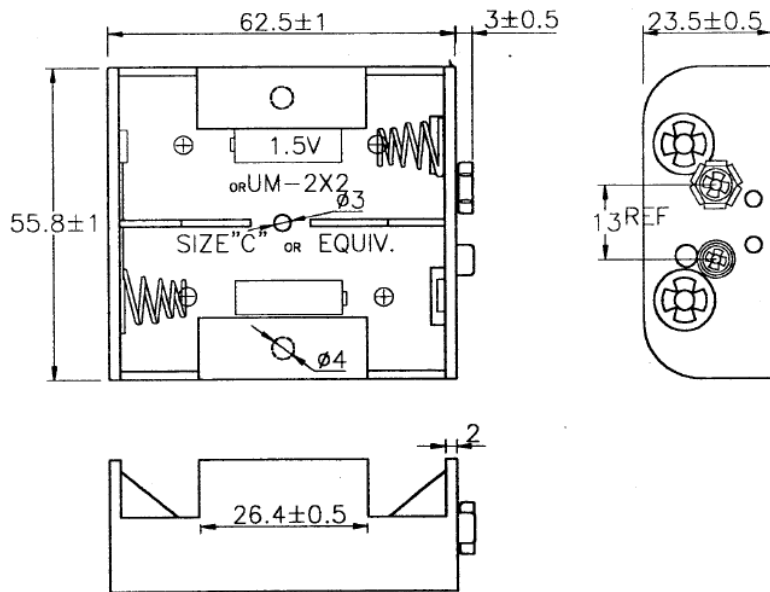
Battery (Cell) Type	C		Number of Cells	2		
Cell Configuration	Series Connection		Output Voltage	3.0 Vdc		
Operating Temperature	-20°C to + 65°C		Storage Temperature	-30°C to +85°C		
Material	Case	P.P. RESIN (BLACK)		Washer		
	Contact	0.8MM 65C SPRING STEEL				
	Termination	6 PRONG SNAP				
Physical Dimensions	Length (L)	62.5 mm	Width (W)	55.8 mm	Height (H)	23.5 mm
Approximate Weight				Compliance	RoHS	
Options						

RELIABILITY

Insulation Test	A minimum of 10 MΩ, measured with 100 Vdc Insulation Resistance Meter, between the Electrical Terminals and the Case
Vibration Test	2 Hours of at 1.5 mm with 10 to 55 Hz. vibration frequency to each of 3 perpendicular directions
Termination Strength	Maximum of 9.8 N (1.0 Kg) load pull test, applied to each terminal in axial direction for 10 seconds
Drop Test	Dropped naturally from 750 mm height onto the surface of 40 mm wooden board, 3 axes (X,Y,Z) directions, 3 times (6 times total)
Warranty	For a period of one (1) year from date of shipping under normal operations conditions

DIMENSIONS

Dimensions in mm; Tolerance ±0.5 mm



SPECIFICATION

- (1) ITEM NO.: BH-221B₆
- (2) WITH 6 PRONG SNAP TERMINAL
- (3) MATERIAL: P.P. RESIN ,BLACK COLOR
- (4) SPRING: 0.8 MM 65C SPRING WIRE