



PRODUCT INFORMATION

PART #	BH-161B	Revision: 1-2012
	6 D Batteries Holder	
ISO 9001		

SPECIFICATIONS

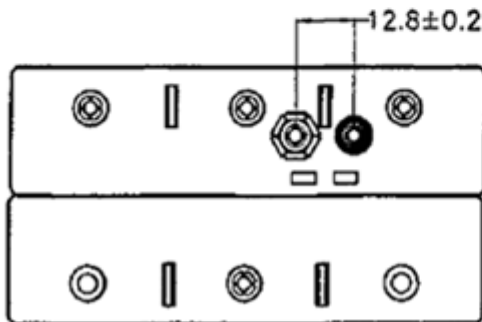
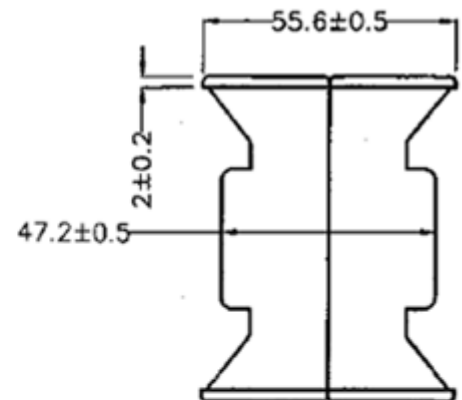
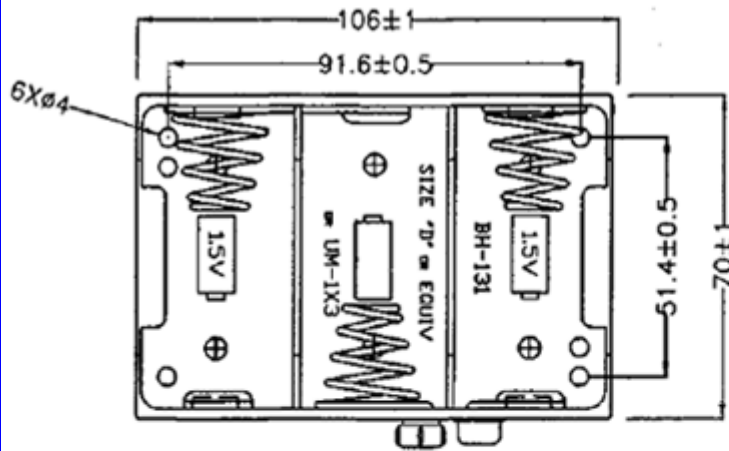
Battery (Cell) Type	D	Number of Cells	6
Cell Configuration	Series Connection	Output Voltage	9.0 Vdc
Operating Temperature	-20°C to + 65°C	Storage Temperature	-30°C to +85°C
Material	Case	Plastic, PP Resin, Black	
	Contact	Two (2) Springs, 0.9 mm, 65C Spring Wire	
	Termination	6 prong snaps	
Physical Dimensions	Length (L)	105.0mm	Width (W) 70.0 mm Height (H) 55.6 mm
Approximate Weight	grams	Compliance	RoHS
Options			

RELIABILITY

Insulation Test	A minimum of 10 MΩ, measured with 100 Vdc Insulation Resistance Meter, between the Electrical Terminals and the Case
Vibration Test	2 Hours of at 1.5 mm with 10 to 55 Hz. vibration frequency to each of 3 perpendicular directions
Termination Strength	Maximum of 9.8 N (1.0 Kg) load pull test, applied to each terminal in axial direction for 10 seconds
Drop Test	Dropped naturally from 750 mm height onto the surface of 40 mm wooden board, 3 axes (X,Y,Z) directions, 3 times (6 times total)
Warranty	For a period of one (1) year from date of shipping under normal operations conditions

DIMENSIONS

Dimensions in mm; Tolerance ±0.5 mm



SPECIFICATION

- (1) ITEM NO: BH-161B
- (2) WITH 6 PRONG SNAP TERMINAL
- (3) MATERIAL: P.P RESIN BLACK COLOR
- (4) SPRING: 0.9MM 65C SPRING WIRE

The information contained herein is believed to be correct, but no guarantee or warranty, express or implied, with respect to accuracy, completeness or results is extended and no liability is assumed. Challenge Electronics reserves the right to make changes in any specification, data or material contained herein.

Copyright © 2012 Challenge Electronics



Challenge Electronics
95 East Jefryn Boulevard
Deer Park, NY 11729

Tel: 1-800-722-8197
1-631-595-2217
Fax: 1-631-667-5484

EMAIL: SALES@CHALLELEC.COM
WEB: WWW.CHALLEGELECTRONICS.COM