



PRODUCT INFORMATION

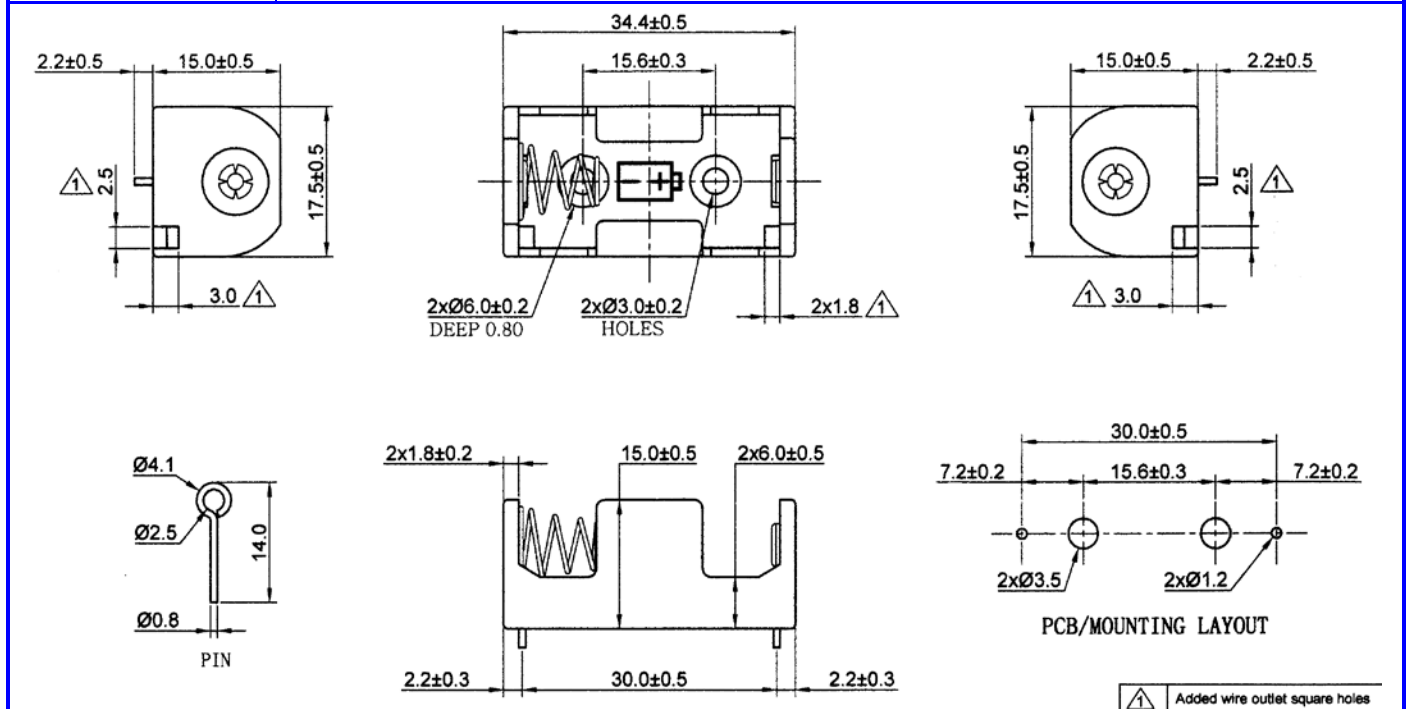
PART #	BH-12AA-2P14	Revision: 0-2013
---------------	---------------------	-------------------------

 ISO 9001	<h2 style="font-size: 24px; color: blue;">1/2 AA Battery Holder</h2>
---------------------	--

SPECIFICATIONS						
Battery (Cell) Type	1/2 AA	Number of Cells	1			
Cell Configuration	Series Connection	Output Voltage	1.5 Vdc			
Operating Temperature	-20°C to + 65°C	Storage Temperature	-30°C to +85°C			
Material	Case	Plastic, PP 94HB Resin, Black		Washer		
	Contact	Springs, 0.6 mm, 65C Spring Steel Nickel Plated				
	Termination	PC Pin, 0.8x14 mm				
	Rivet	Brass Nickel Plated				
Physical Dimensions	Length (L)	34.4 mm	Width (W)	17.5 mm	Height (H)	15.0 mm
Approximate Weight	grams		Compliance	RoHS		
Options						

RELIABILITY	
Insulation Test	A minimum of 10 MΩ, measured with 100 Vdc Insulation Resistance Meter, between the Electrical Terminals and the Case
Vibration Test	2 Hours of at 1.5 mm with 10 to 55 Hz. vibration frequency to each of 3 perpendicular directions
Termination Strength	Maximum of 9.8 N (1.0 Kg) load pull test, applied to each terminal in axial direction for 10 seconds
Drop Test	Dropped naturally from 750 mm height onto the surface of 40 mm wooden board, 3 axes (X,Y,Z) directions, 3 times (6 times total)
Warranty	For a period of one (1) year from date of shipping under normal operations conditions

DIMENSIONS	Dimensions in mm; Tolerance ±0.5 mm
------------	-------------------------------------



The information contained herein is believed to be correct, but no guarantee or warranty, express or implied, with respect to accuracy, completeness or results is extended and no liability is assumed. Challenge Electronics reserves the right to make changes in any specification, data or material contained herein.