



PRODUCT INFORMATION

PART #	CONTACT-318A	Revision: 0-2014
 ISO 9001	<h1># 318 Anode Battery Contact</h1>	

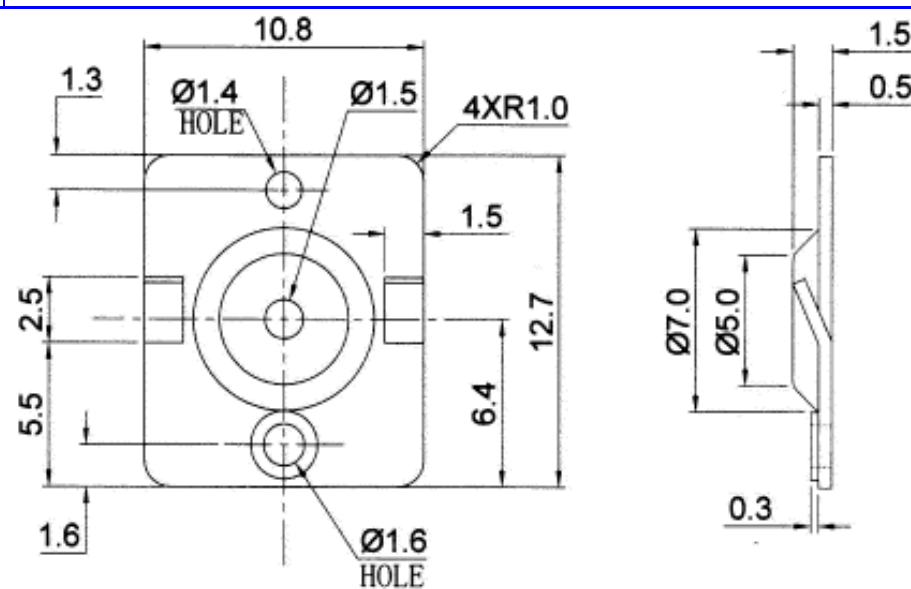
SPECIFICATIONS

Battery Contact Type	318	Number of Contacts	1 Anode
Operating Temperature	-30°C to + 85°C	Storage Temperature	-40°C to +95°C
Contact Material	Contact- 0.3 mm Thick, Steel with Nickel Plating		
Approximate Weight	grams	Compliance	RoHS
Options			

RELIABILITY

Insulation Test	A minimum of 10 MΩ, measured with 100 Vdc Insulation Resistance Meter, between the Electrical Terminals and the Case
Vibration Test	2 Hours of at 1.5 mm with 10 to 55 Hz. vibration frequency to each of 3 perpendicular directions
Termination Strength	Maximum of 9.8 N (1.0 Kg) load pull test, applied to each terminal in axial direction for 10 seconds
Drop Test	Dropped naturally from 750 mm height onto the surface of 40 mm wooden board, 3 axes (X,Y,Z) directions, 3 times (6 times total)
Warranty	For a period of one (1) year from date of shipping under normal operations conditions

DIMENSIONS



Revision	Description	By	Date