

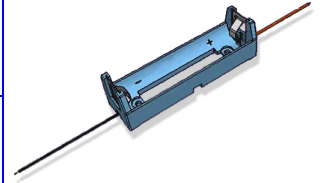


PRODUCT INFORMATION

PART #	BHC-186501A	Revision: 1-2015
---------------	--------------------	-------------------------



Single 18650 Lithium Battery Holder



ISO 9001

SPECIFICATIONS

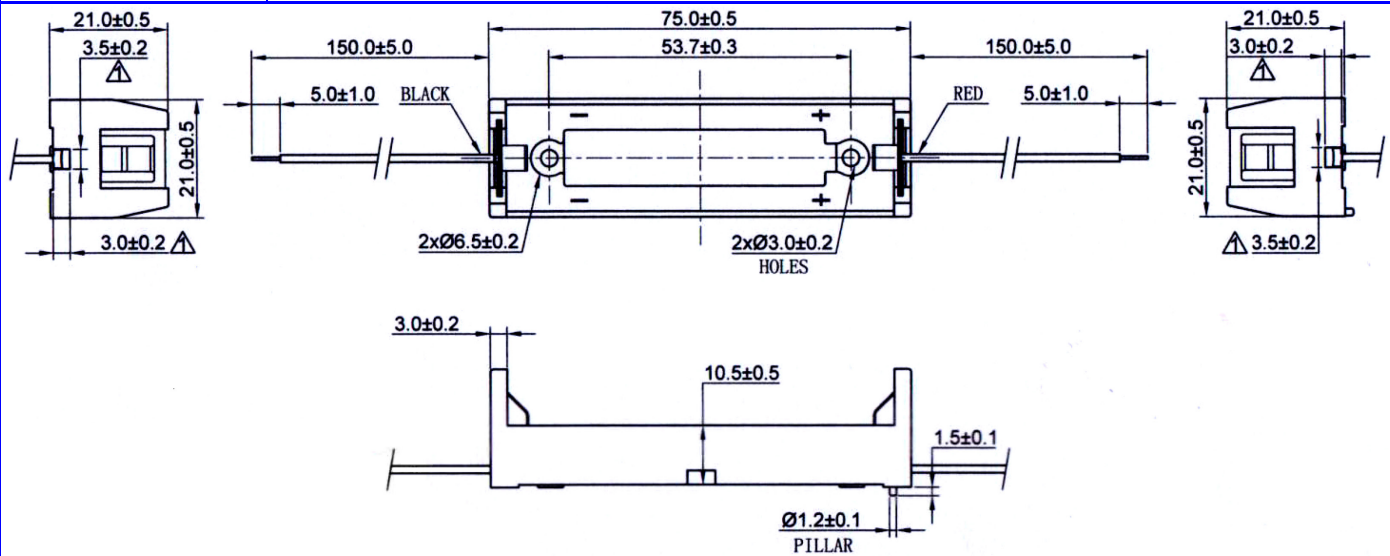
Battery (Cell) Type	18650 Lithium	Number of Cells	1			
Cell Configuration	Series Connection	Output Voltage	3.7 Vdc			
Operating Temperature	-20°C to +65°C	Storage Temperature	-30°C to +85°C			
Material	Case	PBT +30%Resin, Black	Washer			
	Contact	Springs, 0.30 mm, SUS301 1/2H Stainless Nickel Plated				
	Termination	#24 Wire 7 strand w/standoff, 150 mm ±5.0 mm length				
Physical Dimensions	Length (L)	75.0 mm	Width (W)	21.0 mm	Height (H)	21.0 mm
Approximate Weight	grams		Compliance	RoHS		
Options						

RELIABILITY

Insulation Test	A minimum of 10 MΩ, measured with 100 Vdc Insulation Resistance Meter, between the Electrical Terminals and the Case
Vibration Test	2 Hours of at 1.5 mm with 10 to 55 Hz. vibration frequency to each of 3 perpendicular directions
Termination Strength	Maximum of 9.8 N (1.0 Kg) load pull test, applied to each terminal in axial direction for 10 seconds
Drop Test	Dropped naturally from 750 mm height onto the surface of 40 mm wooden board, 3 axes (X,Y,Z) directions, 3 times (6 times total)
Warranty	For a period of one (1) year from date of shipping under normal operations conditions

DIMENSIONS

Dimensions in mm; Tolerance ±0.5 mm



Revision	Description	By	Date
1-2015	Replaced DWG to show wire length	W. Sargent	2015-08-21