



PRODUCT INFORMATION

PART #	BHC-186501P	Revision: 0-2014
	Single 18650 Lithium Battery Holder	
ISO 9001		

SPECIFICATIONS

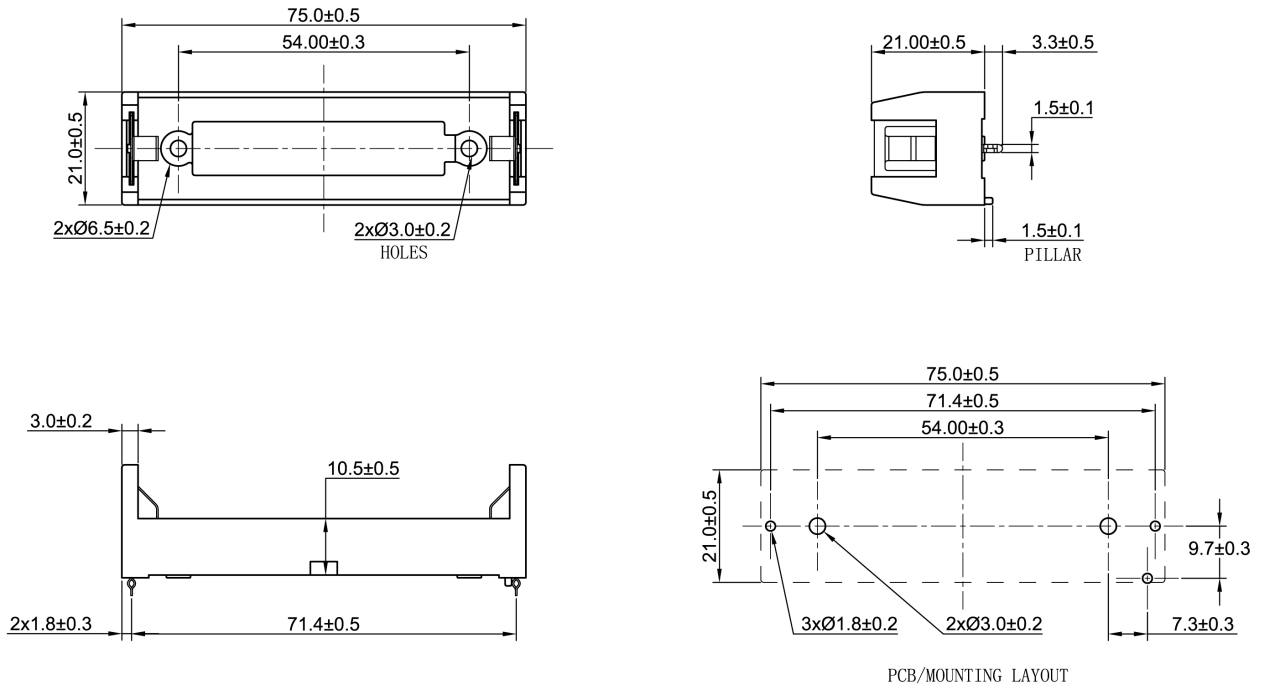
Battery (Cell) Type	18650 Lithium	Number of Cells	1			
Cell Configuration	Series Connection	Output Voltage	3.7 Vdc			
Operating Temperature	-20°C to + 65°C	Storage Temperature	-30°C to +85°C			
Material	Case	PBT +30%Resin, Black	Washer			
	Contact	Springs, 0.30 mm, SUS301 1/2H Stainless Nickel Plated				
	Termination	PC Pin w/standoff				
Physical Dimensions	Length (L)	75.0 mm	Width (W)	21.0 mm	Height (H)	21.0 mm
Approximate Weight	grams		Compliance	RoHS		
Options						

RELIABILITY

Insulation Test	A minimum of 10 MΩ, measured with 100 Vdc Insulation Resistance Meter, between the Electrical Terminals and the Case
Vibration Test	2 Hours of at 1.5 mm with 10 to 55 Hz. vibration frequency to each of 3 perpendicular directions
Termination Strength	Maximum of 9.8 N (1.0 Kg) load pull test, applied to each terminal in axial direction for 10 seconds
Drop Test	Dropped naturally from 750 mm height onto the surface of 40 mm wooden board, 3 axes (X,Y,Z) directions, 3 times (6 times total)
Warranty	For a period of one (1) year from date of shipping under normal operations conditions

DIMENSIONS

Dimensions in mm; Tolerance ±0.5 mm



Revision	Description	By	Date

The information contained herein is believed to be correct, but no guarantee or warranty, express or implied, with respect to accuracy, completeness or results is extended and no liability is assumed. Challenge Electronics reserves the right to make changes in any specification, data or material contained herein.

Copyright © 2014 Challenge Electronics