



PRODUCT INFORMATION

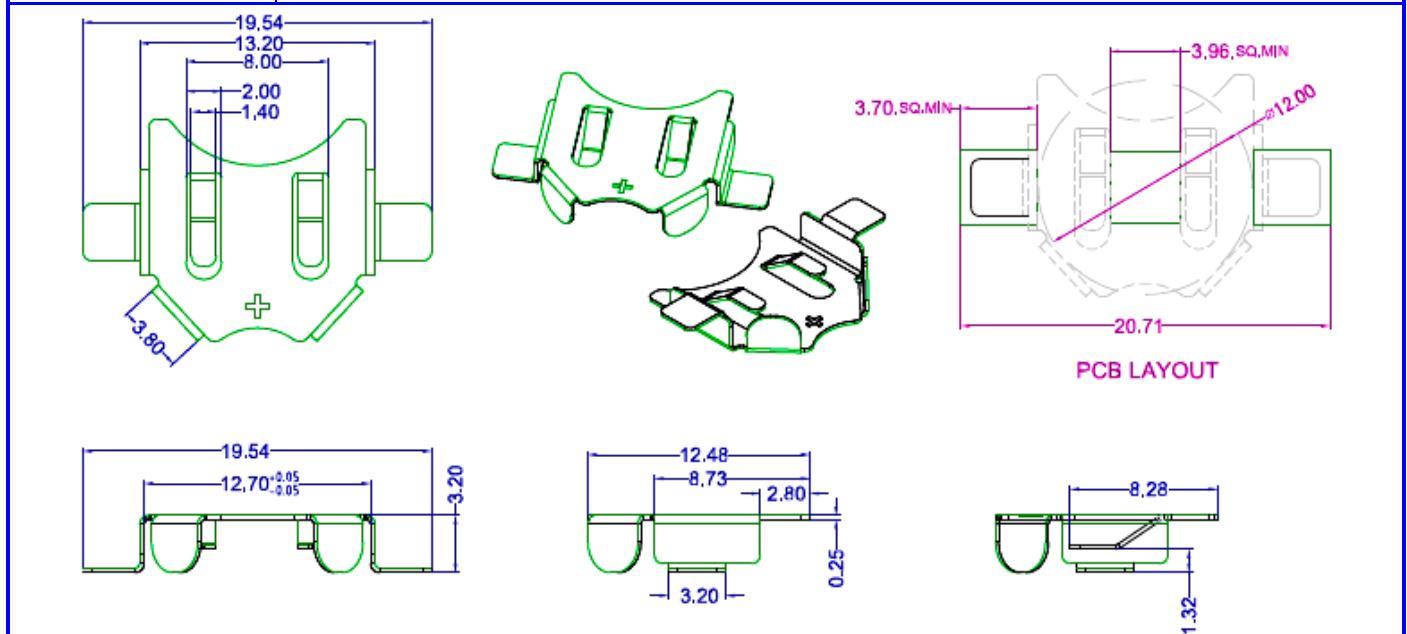
PART #	BC-1201	Revision: 0-2015
---------------	----------------	-------------------------

 ISO 9001	PCB Mount Single Cell Clip
---------------------	-----------------------------------

SPECIFICATIONS			
Battery (Cell) Type	CR1220	Number of Cells	1
Operating Temperature	-40°C to + 270°C	Storage Temperature	-40°C to + 270°C
Contact Material	0.25 mm thick Phosphor Bronze with Nickel Plating		
Approximate Weight		Compliance	RoHS and REACH
Options			

RELIABILITY	
Insulation Test	A minimum of 10 MΩ, measured with 100 Vdc Insulation Resistance Meter, between the Electrical Terminals and the Case
Vibration Test	2 Hours of at 1.5 mm with 10 to 55 Hz. vibration frequency to each of 3 perpendicular directions
Termination Strength	Maximum of 9.8 N (1.0 Kg) load pull test, applied to each terminal in axial direction for 10 seconds
Drop Test	Dropped naturally from 750 mm height onto the surface of 40 mm wooden board, 3 axes (X,Y,Z) directions, 3 times (6 times total)
Warranty	For a period of one (1) year from date of shipping under normal operations conditions

DIMENSIONS	Dimensions: 19.54 x 12.48 x 3.2 mm; Tolerance: ± 0.05 mm, Angle: ±2°
-------------------	---



Revision	Description	By	Date