



PRODUCT INFORMATION

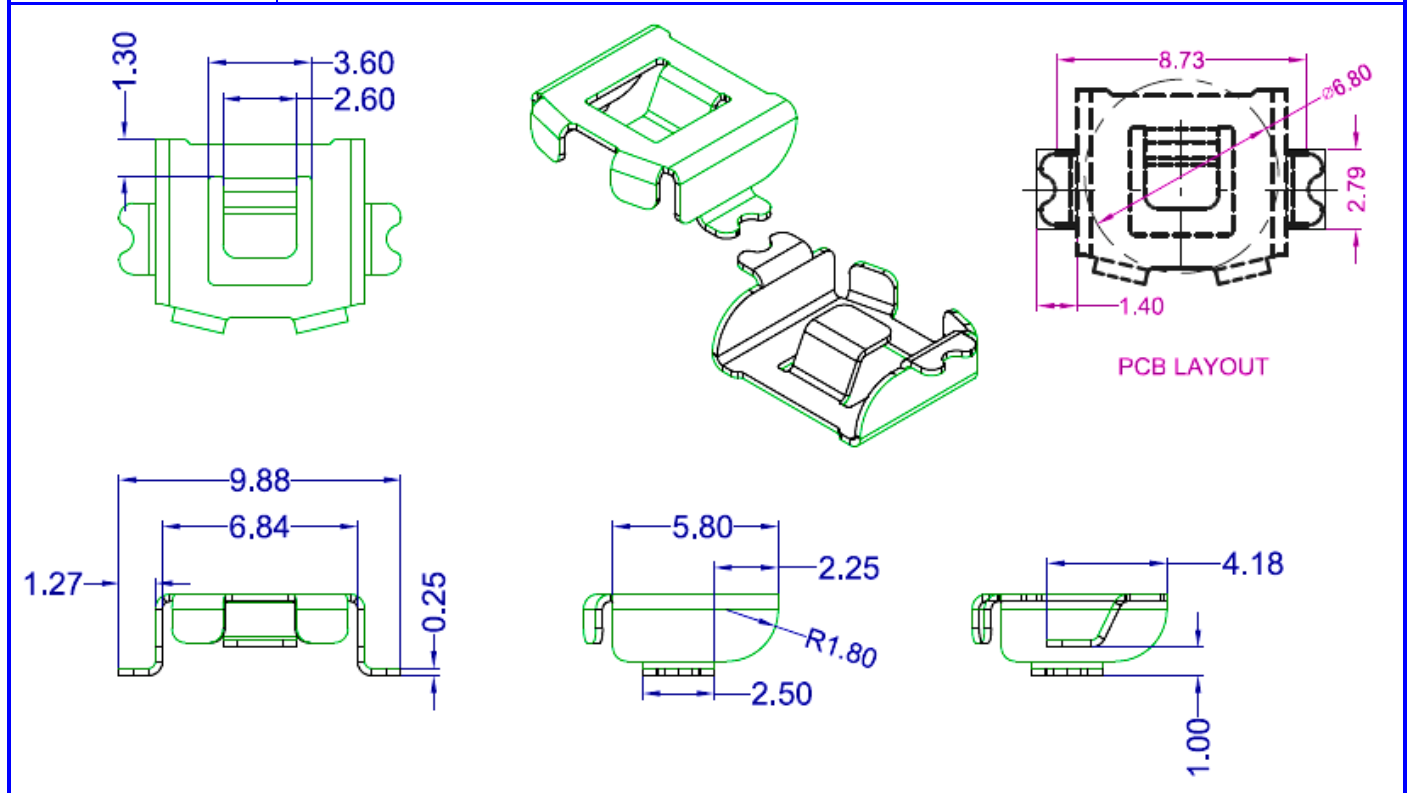
PART #	BC-6801	Revision: 0-2015
---------------	----------------	-------------------------

 ISO 9001	PCB Mount Single Cell Clip
---------------------	-----------------------------------

SPECIFICATIONS			
Battery (Cell) Type	ML621	Number of Cells	1
Operating Temperature	-40°C to + 270°C	Storage Temperature	-40°C to + 270°C
Contact Material	0.25 mm thick Phosphor Bronze with Nickel Plating		
Approximate Weight		Compliance	RoHS and REACH
Options			

RELIABILITY	
Insulation Test	A minimum of 10 MΩ, measured with 100 Vdc Insulation Resistance Meter, between the Electrical Terminals and the Case
Vibration Test	2 Hours of at 1.5 mm with 10 to 55 Hz. vibration frequency to each of 3 perpendicular directions
Termination Strength	Maximum of 9.8 N (1.0 Kg) load pull test, applied to each terminal in axial direction for 10 seconds
Drop Test	Dropped naturally from 750 mm height onto the surface of 40 mm wooden board, 3 axes (X,Y,Z) directions, 3 times (6 times total)
Warranty	For a period of one (1) year from date of shipping under normal operations conditions

DIMENSIONS	Dimensions: 9.88 x 5.18 mm; Tolerance: ± 0.05 mm, Angle: ±2°
-------------------	---



Revision	Description	By	Date

The information contained herein is believed to be correct, but no guarantee or warranty, express or implied, with respect to accuracy, completeness or results is extended and no liability is assumed. Challenge Electronics reserves the right to make changes in any specification, data or material contained herein.