





PRODUCT INFORMATION

PART #	CH-006-2032LF	Revision: 1-2015
 ISO 9001	'CR 2032' Coin Cell Holder	

SPECIFICATIONS

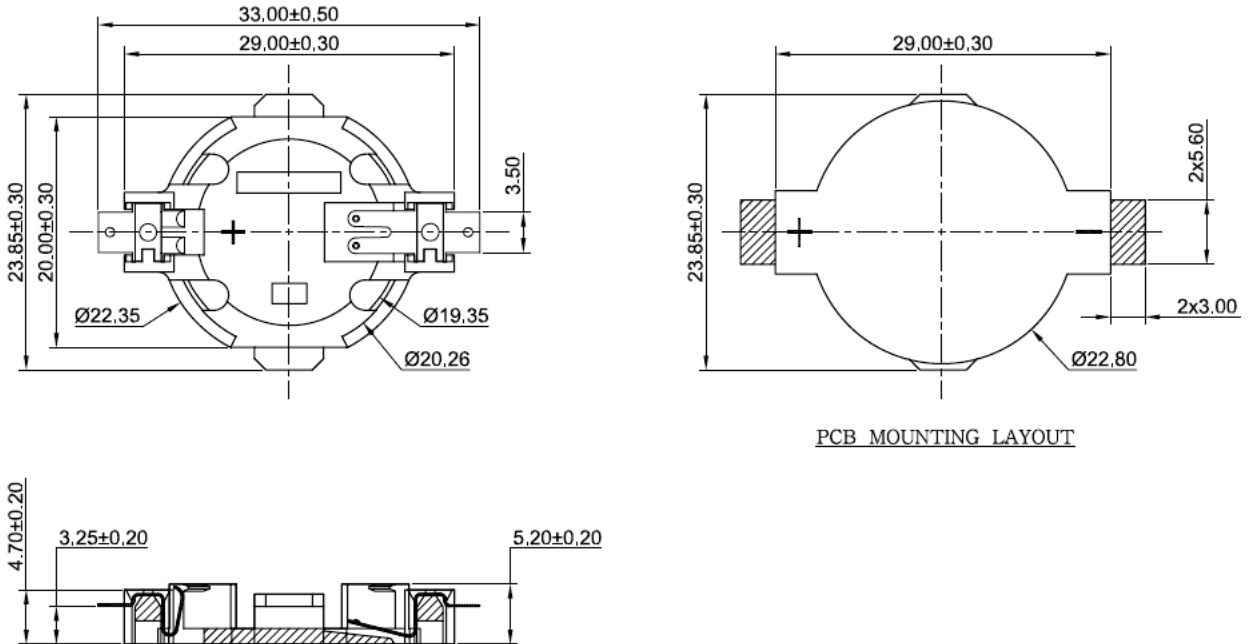
Battery (Cell) Type	CR 2032	Number of Cells	1
Current Rating	2 A ac/dc	Voltage Rating	500 V ac/dc
Contact Resistance	Maximum 30 milliohms	Insulation Resistance	500MΩ
Temperature	-55°C to + 85°C	Humidity	40°C, 90-95% RH for 96 hours
Material	Housing LCP +30%GF, UL94VO White		
	Contact Phosphor Bronze, 0.2 mm Thick, Gold 1U" Plated over Nickel 50U"		
Approximate Weight	grams	Compliance	RoHS
Options			

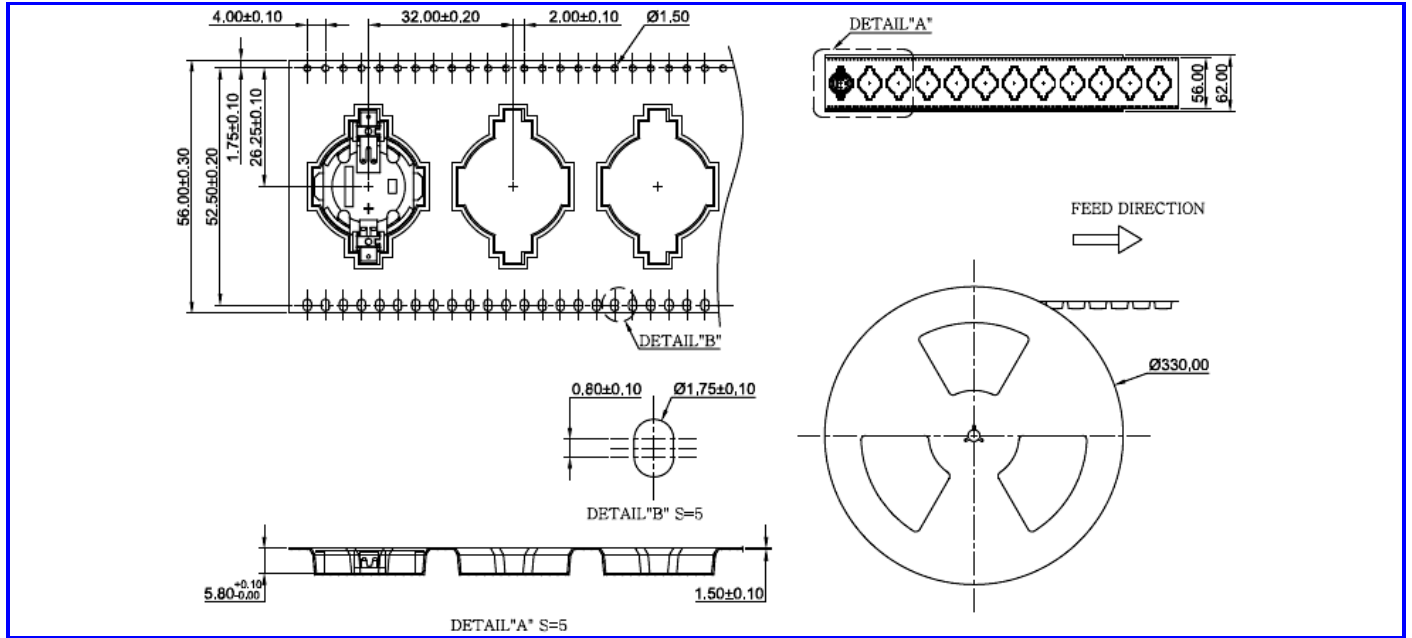
RELIABILITY

Vibration Test	2 Hours of at 1.5 mm with 10 to 55 Hz. vibration frequency to each of 3 perpendicular directions
Termination Strength	Maximum of 9.8 N (1.0 Kg) load pull test, applied to each terminal in axial direction for 10 seconds
Drop Test	Dropped naturally from 750 mm height onto the surface of 40 mm wooden board, 3 axes (X,Y,Z) directions, 3 times (6 times total)
Warranty	For a period of one (1) year from date of shipping under normal operations conditions

DIMENSIONS

33.0 x 23.80 x 5.20 Dimensions in mm; Tolerance ±0.5 mm





Revision	Description	By	Date
1-2015	Added Product Photo, updated dimensions per drawing	W.Sargent	3/18/2015