



PRODUCT INFORMATION

| | | |
|---------------------|-----------------------------------|-------------------------|
| PART # | CH 23-1220 | Revision: 0-2012 |
| ISO 9001 | <h1>CR 1220 Coin Cell Holder</h1> | |

SPECIFICATIONS

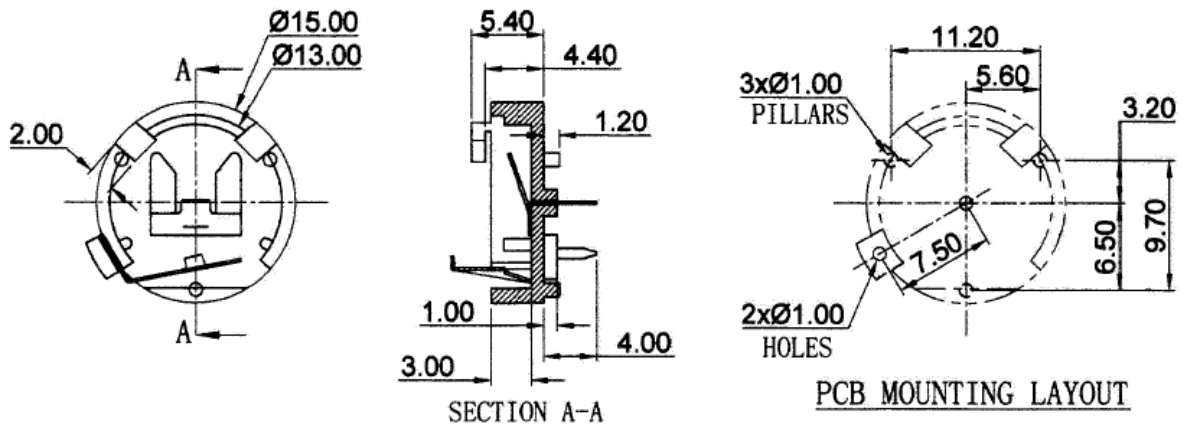
| | | | |
|----------------------------|--|------------------------------|--------------------------------------|
| Battery (Cell) Type | CR1220 | Number of Cells | 1 |
| Current Rating | 2 A ac/dc | Voltage Rating | 500 V ac/dc |
| Contact Resistance | Maximum 30 milliohms | Insulation Resistance | 500MΩ |
| Temperature | -55°C to + 85°C | Humidity | -40°C, 90-95% RH for 96 hours |
| Material | Housing Plastic, PBT+30%GF, UL94-V0, Black | | |
| | Contact Phosphor Bronze, 0.2 mm Thick, Tin Plated over Nickel | | |
| Approximate Weight | grams | Compliance | RoHS |
| Options | | | |

RELIABILITY

| | |
|-----------------------------|---|
| Vibration Test | 2 Hours of at 1.5 mm with 10 to 55 Hz. vibration frequency to each of 3 perpendicular directions |
| Termination Strength | Maximum of 9.8 N (1.0 Kg) load pull test, applied to each terminal in axial direction for 10 seconds |
| Drop Test | Dropped naturally from 750 mm height onto the surface of 40 mm wooden board, 3 axes (X,Y,Z) directions, 3 times (6 times total) |
| Warranty | For a period of one (1) year from date of shipping under normal operations conditions |

DIMENSIONS

Dimensions in mm; Tolerance ±0.5 mm



NOTES:

1. MATERIAL:
 HOUSING: PBT+30%GF UL94V0 BLACK COLOR
 CONTACT: PHOSPHOR BRONZE 0.2MM THK
 TIN PLATED OVER NICKEL
2. CURRENT RATING : 2A (AC/DC)
3. VOLTAGE RATING : 500V (AC/DC)
4. CONTACT RESISTANCE: 30 MILLIOHMS
5. INSULATION RESISTANCE: 500 MEGAOHMS
6. TEMPERATURE RANGE: -55°C TO +85°C
7. HUMIDITY: 40°C AND 90-95% RH FOR 96 HOURS
8. RoHS COMPLIANT

| | |
|------------------------------|-------------------------------|
| Challenge Electronics | |
| NAME | COIN CELL HOLDER: CH23-1220LF |