





## PRODUCT INFORMATION

<b>PART #</b>	<b>CH 23-1225</b>	<b>Revision: 0-2012</b>
 <b>ISO 9001</b>	<b>CR 1225 Coin Cell Holder</b>	

### SPECIFICATIONS

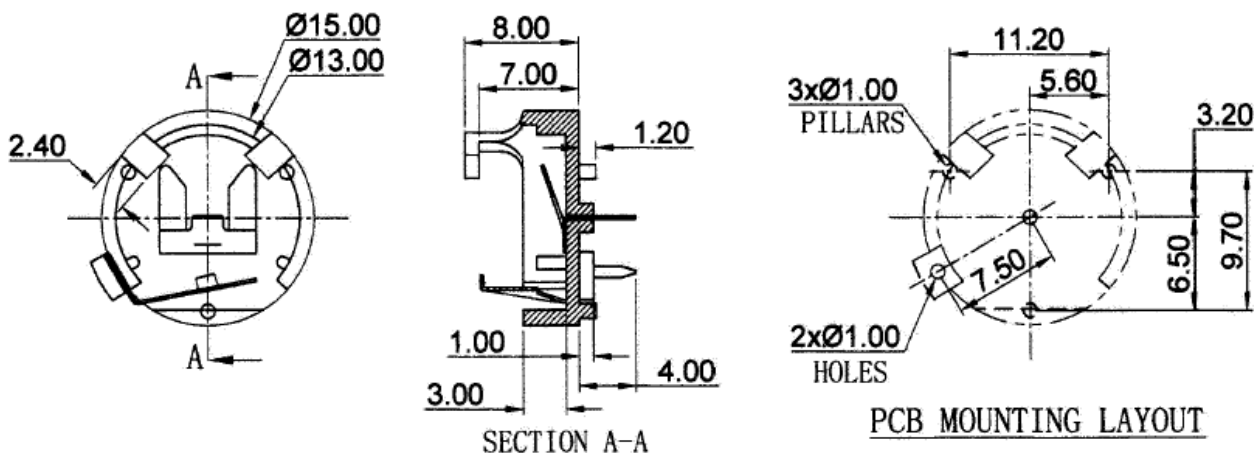
<b>Battery (Cell) Type</b>	<b>CR1225</b>	<b>Number of Cells</b>	<b>1</b>
<b>Current Rating</b>	<b>2 A ac/dc</b>	<b>Voltage Rating</b>	<b>500 V ac/dc</b>
<b>Contact Resistance</b>	<b>Maximum 30 milliohms</b>	<b>Insulation Resistance</b>	<b>500 MΩ</b>
<b>Temperature</b>	<b>-55°C to + 85°C</b>	<b>Humidity</b>	<b>-40°C, 90-95% RH for 96 hours</b>
<b>Material</b>	<b>Housing</b>	<b>Plastic, PBT+30%GF, UL94-V0, Black</b>	
	<b>Contact</b>	<b>Phosphor Bronze, 0.2 mm Thick, Tin Plated over Nickel</b>	
<b>Approximate Weight</b>	<b>grams</b>	<b>Compliance</b>	<b>RoHS</b>
<b>Options</b>			

### RELIABILITY

<b>Vibration Test</b>	2 Hours of at 1.5 mm with 10 to 55 Hz. vibration frequency to each of 3 perpendicular directions
<b>Termination Strength</b>	Maximum of 9.8 N (1.0 Kg) load pull test, applied to each terminal in axial direction for 10 seconds
<b>Drop Test</b>	Dropped naturally from 750 mm height onto the surface of 40 mm wooden board, 3 axes (X,Y,Z) directions, 3 times (6 times total)
<b>Warranty</b>	For a period of one (1) year from date of shipping under normal operations conditions

### DIMENSIONS

Dimensions in mm; Tolerance ±0.5 mm



**NOTES:**

1. MATERIAL:  
 HOUSING: PBT+30%GF UL94V0 BLACK COLOR  
 CONTACT: PHOSPHOR BRONZE 0.20MM THK  
 TIN PLATED OVER NICKEL
2. CURRENT RATING : 2A (AC/DC)
3. VOLTAGE RATING : 500V (AC/DC)
4. CONTACT RESISTANCE: 30 MILLIOHMS
5. INSULATION RESISTANCE: 500 MEGAOHMS
6. TEMPERATURE RANGE: -55°C TO +85°C
7. HUMIDITY: 40°C AND 90-95% RH FOR 96 HOURS
8. RoHS COMPLIANT

<b>Challenge Electronics</b>	
<b>NAME</b>	<b>COIN CELL HOLDER: CH23-1225LF</b>