



PRODUCT INFORMATION

PART #	CH-26-2032LF	Revision: 0-2013
	'CR 2032' Coin Cell Holder	
ISO 9001		

SPECIFICATIONS

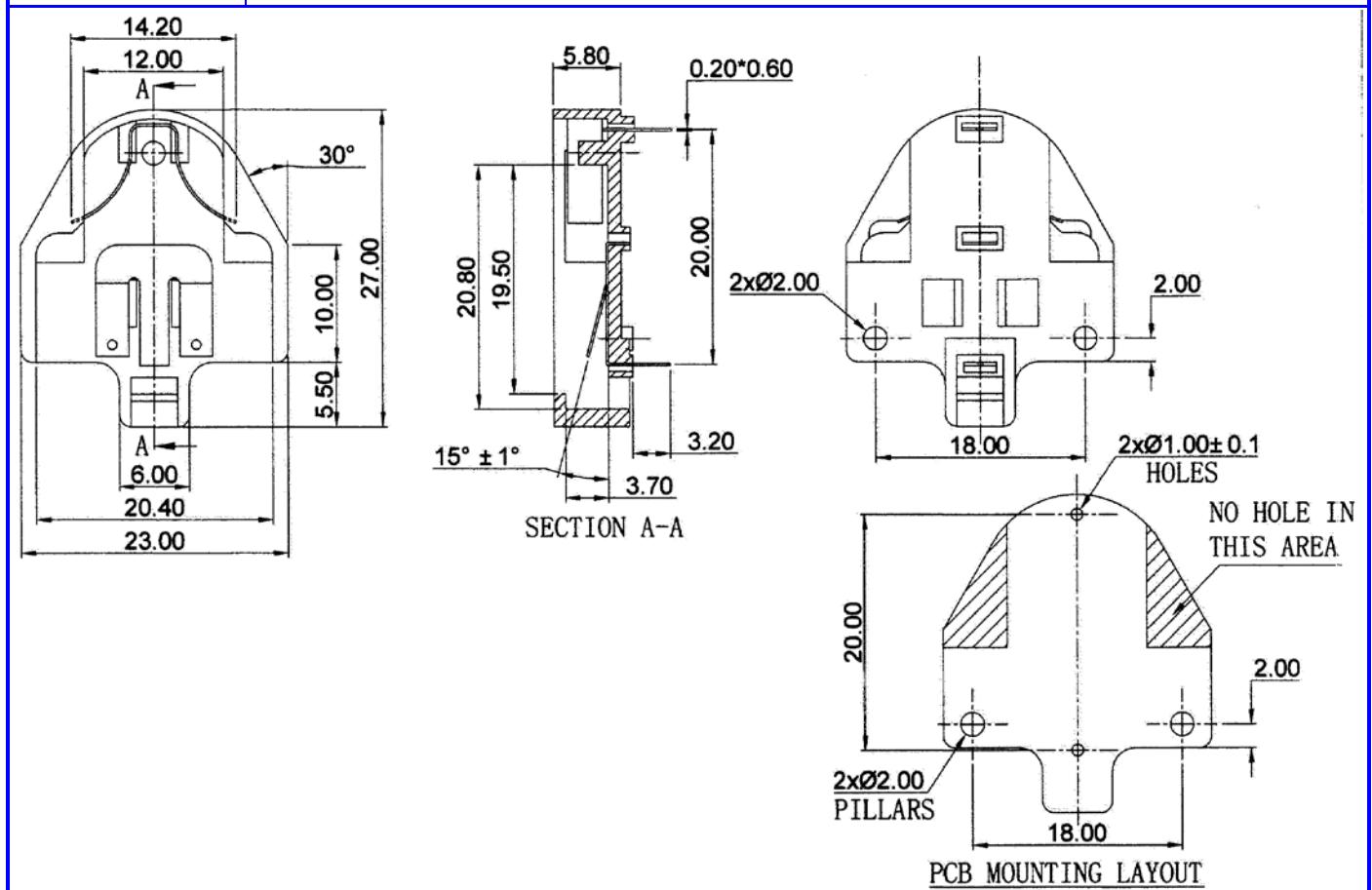
Battery (Cell) Type	CR 2032	Number of Cells	1
Current Rating	2 A ac/dc	Voltage Rating	500 V ac/dc
Contact Resistance	Maximum 50 milliohms	Insulation Resistance	1000MΩ
Temperature	-40°C to + 105°C	Humidity	40°C, 90-95% RH for 96 hours
Material	Housing	Plastic, PBT UL94V0, Black	
	Contact	Phosphor Bronze, 0.2 mm Thick, Tin Plated over Nickel	
Approximate Weight	grams	Compliance	RoHS
Options			

RELIABILITY

Vibration Test	2 Hours of at 1.5 mm with 10 to 55 Hz. vibration frequency to each of 3 perpendicular directions
Termination Strength	Maximum of 9.8 N (1.0 Kg) load pull test, applied to each terminal in axial direction for 10 seconds
Drop Test	Dropped naturally from 750 mm height onto the surface of 40 mm wooden board, 3 axes (X,Y,Z) directions, 3 times (6 times total)
Warranty	For a period of one (1) year from date of shipping under normal operations conditions

DIMENSIONS

23.0 x 27.00 x 5.80 Dimensions in mm; Tolerance ±0.5 mm



The information contained herein is believed to be correct, but no guarantee or warranty, express or implied, with respect to accuracy, completeness or results is extended and no liability is assumed. Challenge Electronics reserves the right to make changes in any specification, data or material contained herein.

Copyright © 2013 Challenge Electronics