



PRODUCT INFORMATION

PART #	CH-28-2032	Revision: 1-2013
	CR 2032 Coin Cell Holder	
ISO 9001		

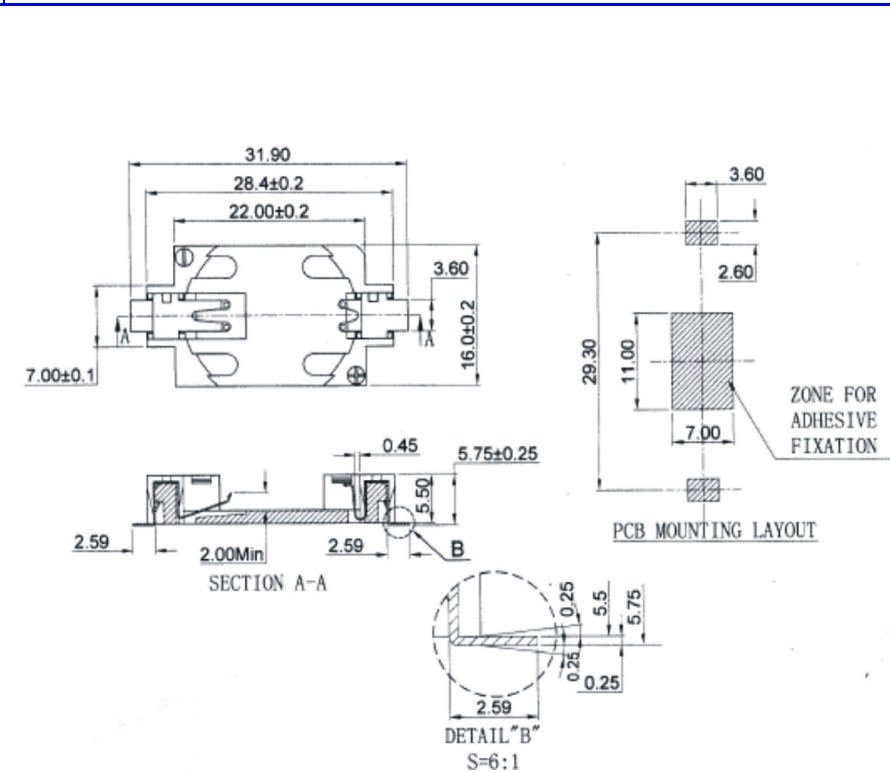
SPECIFICATIONS

Battery (Cell) Type	CR 2032	Number of Cells	1
Current Rating	3 A ac/dc	Voltage Rating	500 V ac/dc
Contact Resistance	Maximum 100 milliohms	Insulation Resistance	100 MΩ
Temperature	-30°C to + 85°C	Humidity	-40°C, 90-95% RH for 96 hours
Material	Housing	Plastic, 30% Glass Filled LCP, UL94-V0, White	
	Contact	Phosphor Bronze, 0.25 mm Thick, minimum 5 micron Gold Plated over Nickel	
Approximate Weight	grams	Compliance	RoHS
Options			

RELIABILITY

Vibration Test	2 Hours of at 1.5 mm with 10 to 55 Hz. vibration frequency to each of 3 perpendicular directions
Termination Strength	Maximum of 9.8 N (1.0 Kg) load pull test, applied to each terminal in axial direction for 10 seconds
Drop Test	Dropped naturally from 750 mm height onto the surface of 40 mm wooden board, 3 axes (X,Y,Z) directions, 3 times (6 times total)
Warranty	For a period of one (1) year from date of shipping under normal operations conditions

DIMENSIONS



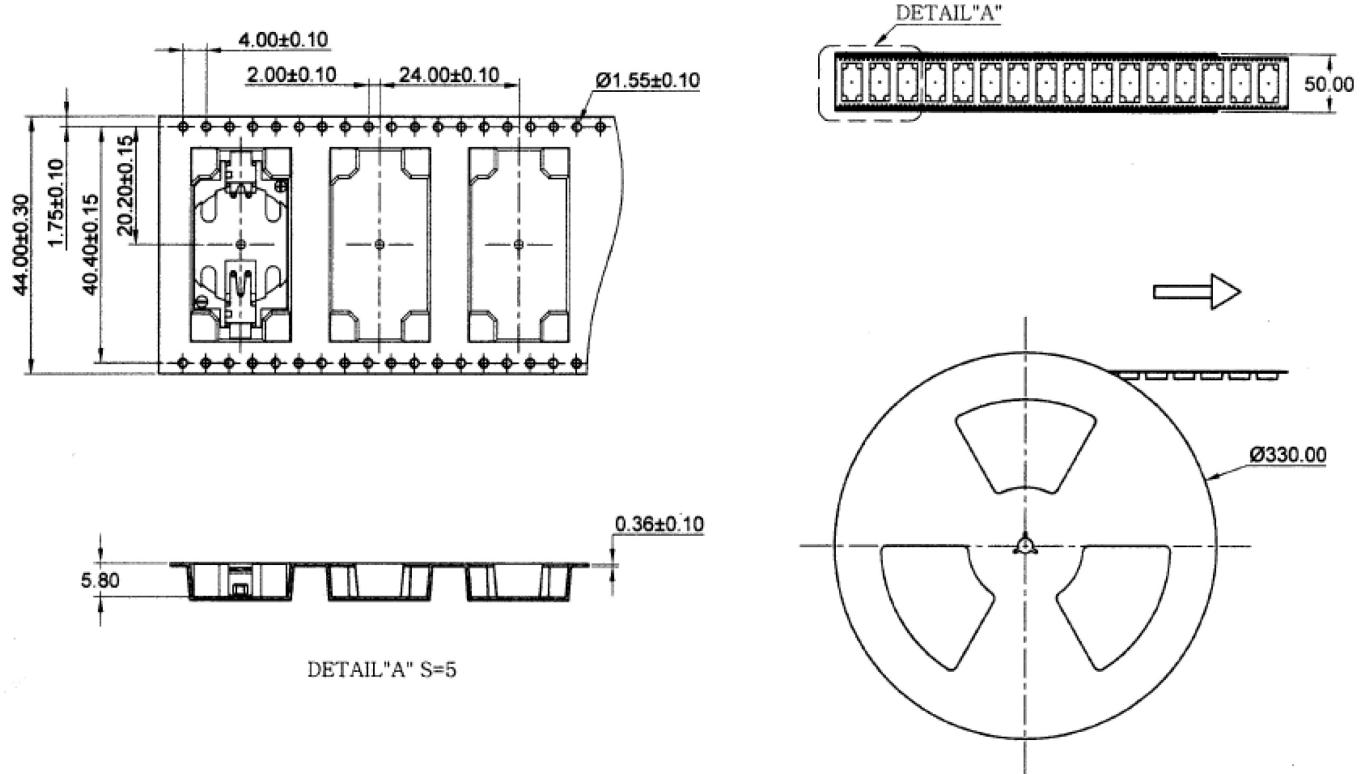
The information contained herein is believed to be correct, but no guarantee or warranty, express or implied, with respect to accuracy, completeness or results is extended and no liability is assumed. Challenge Electronics reserves the right to make changes in any specification, data or material contained herein.

Copyright © 2013 Challenge Electronics



PACKAGING and SHIPPING

QUANTITIES		PCS / REEL	500	PCS /CARTON	2500	
CARTON	DIMENSIONS	35.2 x 30.2 x 34 cm	Net Weight	5.8 kg	Gross Weight	6.8 kg



Revision	Description	By	Date
1-2013	Added Tape and Reel drawing	Walter Sargent	10/9/2013

The information contained herein is believed to be correct, but no guarantee or warranty, express or implied, with respect to accuracy, completeness or results is extended and no liability is assumed. Challenge Electronics reserves the right to make changes in any specification, data or material contained herein.