



PRODUCT INFORMATION

PART #	CH-74-2032	Revision: 1-2013
 ISO 9001	CR 2032 Coin Cell Holder	

SPECIFICATIONS

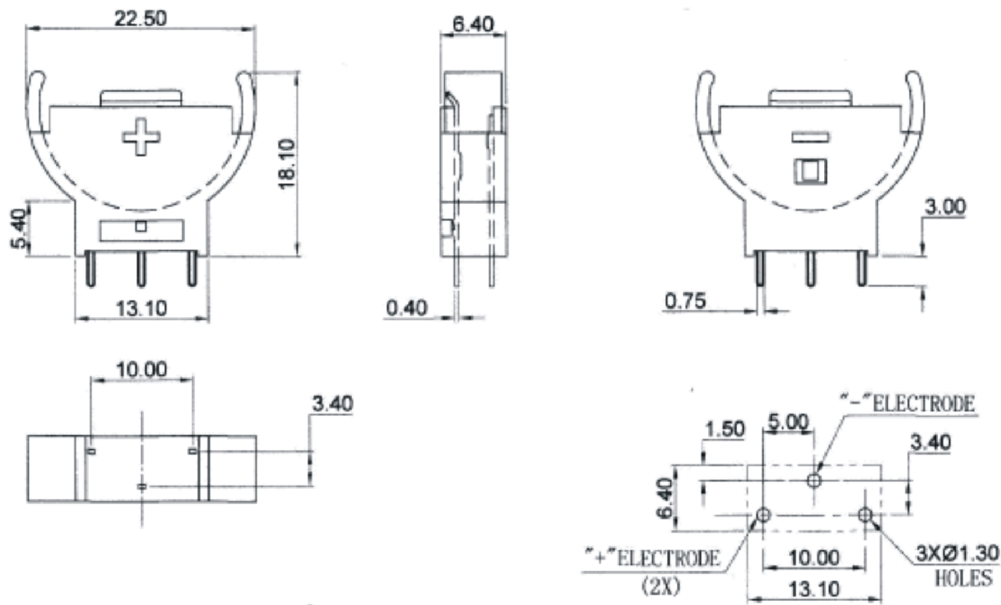
Battery (Cell) Type	CR 2032	Number of Cells	1
Current Rating	3 A ac/dc	Voltage Rating	500 V ac/dc
Contact Resistance	Maximum 100 milliohms	Insulation Resistance	100 MΩ
Temperature	-40°C to + 105°C	Humidity	-40°C, 90-95% RH for 96 hours
Material	Housing	Plastic, 30% Glass Filled Nylon 46, UL94-V0, Black	
	Contact	Phosphor Bronze, 0.6 mm Thick, Tin Plated over Nickel	
Approximate Weight	grams	Compliance	RoHS
Options			

RELIABILITY

Vibration Test	2 Hours of at 1.5 mm with 10 to 55 Hz. vibration frequency to each of 3 perpendicular directions
Termination Strength	Maximum of 9.8 N (1.0 Kg) load pull test, applied to each terminal in axial direction for 10 seconds
Drop Test	Dropped naturally from 750 mm height onto the surface of 40 mm wooden board, 3 axes (X,Y,Z) directions, 3 times (6 times total)
Warranty	For a period of one (1) year from date of shipping under normal operations conditions

DIMENSIONS

Dimensions in mm; Tolerance ±0.5 mm



PCB MOUNTING LAYOUT

Revision	Description	By	Date
1-2013	Corrected Temperature Range	Walter Sargent	10/28/2013