



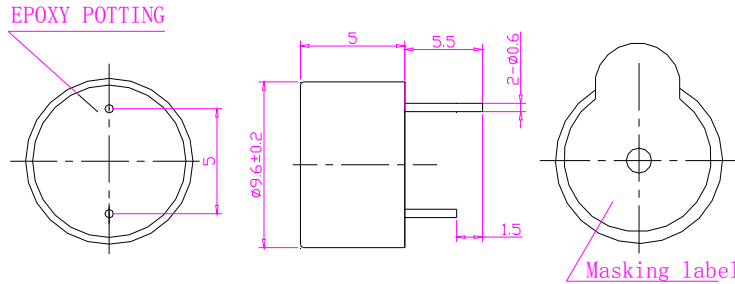
PRODUCT INFORMATION

PART #	CEEB096A050-205C25PLR							Revision: 0-2012		
	ELECTROMAGNETIC BUZZER									
DESCRIPTION:					FEATURES:					
<p>Challenge Electronics Electromagnetic Buzzer, 9.6 mm Square, A type case (Round, No PCB Standoffs, TOP Sound Port), 5.0 mm Height, 2 to 5 Vdc operation, Continuous Tone, 2,500 Hz Resonant Frequency, with a minimum output of 80 dB(A) at 3 Vdc, 10 cm, PC Pins 5.0mm spaced Termination, with Removable Washing Label, RoHS Lead Free compliant</p>					<ul style="list-style-type: none"> ◆ Extended Operating Temperature ◆ Flame Retardant Plastic ◆ ISO 9001 Certified ◆ RoHS compliant 					
SPECIFICATIONS										
Sound Type	Continuous Tone		Sound Pressure Level		Minimum 80 dB(A), at Nominal Rated Voltage, 10 cm					
Operating Voltage	2.0 – 5.0 Vdc		Nominal Rated Voltage		3.0 Vdc		Operating Current			25 mA, at Nominal rated Voltage
Resonant Frequency	2,500 ± 200 Hz.		Operating Temperature		-30°C to + 70°C		Storage Temperature		-40°C to + 85°C	
Material	Housing		Plastic, Noryl PX9406, Black, UL 94-V0 (UL No.: E207780)							
	Diaphragm		Ni Alloy Disc N50				Bottom Encapsulation		Plastic or PCB Cover	
	Termination		Two (2), PC Pins, 0.6 mm ø, Brass Nickel (Sn) plated, Positive 5.5 mm Long, Negative 4.0 mm Long							
Sound Port Direction	Top		Case Standoffs from PCB		No		Removable Washing Label		Yes	
Physical Dimensions	Length or Diameter (L/D)		9.6 mm ø		Width (W)		Height (H)		5.0 mm	
Approximate Weight	0.9 grams		Compliance		RoHS					
Options										
RELIABILITY										
Thermal Operating Temperature Test	96 hours continuous operation at Rated Voltage, at Maximum Rated Operating Temperature *									
	96 hours continuous operation at Rated Voltage, at Minimum Rated Operating Temperature *									
Thermal Storage Temperature Test	96 hours storage at Maximum Rated Storage Temperatures *									
	96 hours storage at Minimum Rated Storage Temperatures *									
Thermal Shock Test	<p>5 cycles of Minimum and Maximum Operating Temperature Each cycle shall be set per diagram below and is three (3) hours long *</p>									
Humidity Test	96 Hours at +40°C±2°C. 90-95% RH *									
Insulation Test	A minimum of 10 MΩ, measured with 100 Vdc Insulation Resistance Meter, between the Electrical Terminals and the Transducer Case									
Vibration Test	2 Hours of at 0.75 mm with 10 to 55 Hz. vibration frequency to each of 3 perpendicular directions *									
Termination Strength	Maximum of 9.8 N (1.0 Kg) load pull test, applied to each terminal in axial direction for 10 seconds									
Drop Test	Dropped naturally from 750 mm height onto the surface of 40 mm wooden board, 3 axes (X,Y,Z) directions, 3 times (9 times total) *									
Solderability	Terminal leads are immersed in rosin for 5 seconds and then immersed in solder-bath of +350 ± 5 °C for 3 ± 0.5 seconds									
Soldering Heat Resistance	Terminal leads are immersed, up to 1.5 mm from part case, in rosin for 5 seconds and then immersed in solder-bath of +350 ± 5 °C for 3 ± 0.5 seconds or +260 ± 5 °C for 10 ± 1 seconds									
* Reliability Test Performance	Parts should conform to original performance within ±3dB, after 3 hours of recovery period									
Operation Life Test	Continuous		240 hours of continuous operation, at Rated Voltage , each at Minimum & Maximum Rated Operating Temperatures							
	Intermittent		One thousand (1,000) hours of: 1 minute ON 4 minutes OFF cycle, at Room Temperature , and Rated Voltage							
Warranty	For a period of one (1) year from date of shipping under normal operations conditions This warranty does not apply to products damaged through misuse, abuse, improper installation, alteration, rework, or attempt to repair									

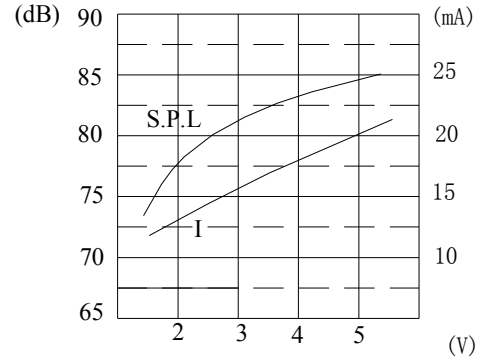


DIMENSIONS

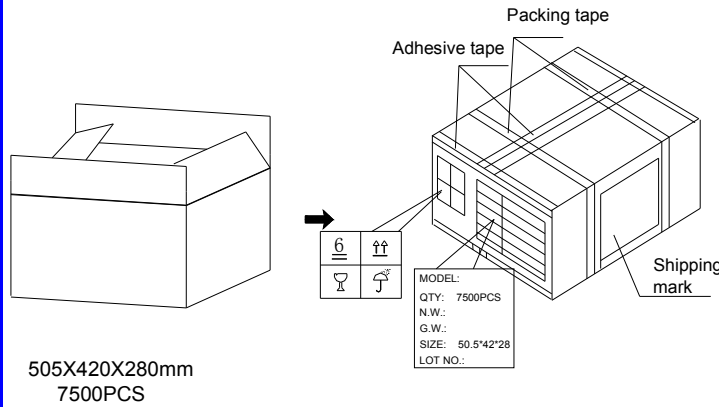
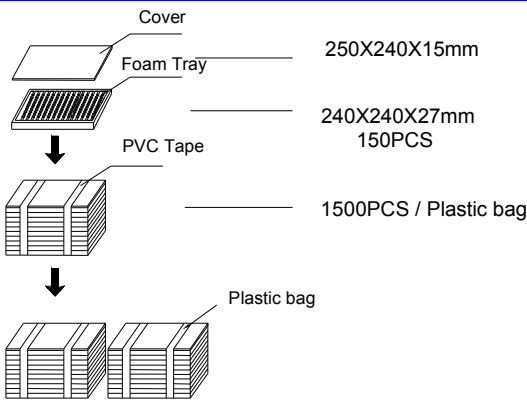
Units in: mm, Tolerance: ± 0.5mm unless specified otherwise.



SPL & CURRENT RESPONSE



PACKAGING



MARKING

Reel

TRAY		Dimensions	
Customer PN		X1	25.0cm
Quantity		Y1	24.0cm
Lot and/or Date Code		Z1	2.7cm
Bundle Number		Box	
BUNDLE		X2	25.0cm
Customer Part Number		Y2	24.0cm
Other PN (if required)		Z2	27.0cm
Quantity		Quantity	
Lot and/or Date Code		SHIPPING BOX	
PO Number		X3	50.5cm
Net Weight		Y3	42.0cm
Gross Weighjt		Z3	28.0cm
Box Number		Number of Bundles	5
of Number of Boxes		Quantity	7,500
Made in China		Approximate Weight	10 kg