

CEEB12A095-205C23P7.6LR

Rev. 1-2018
RoHS3 & REACH
Electromagnetic Indicators



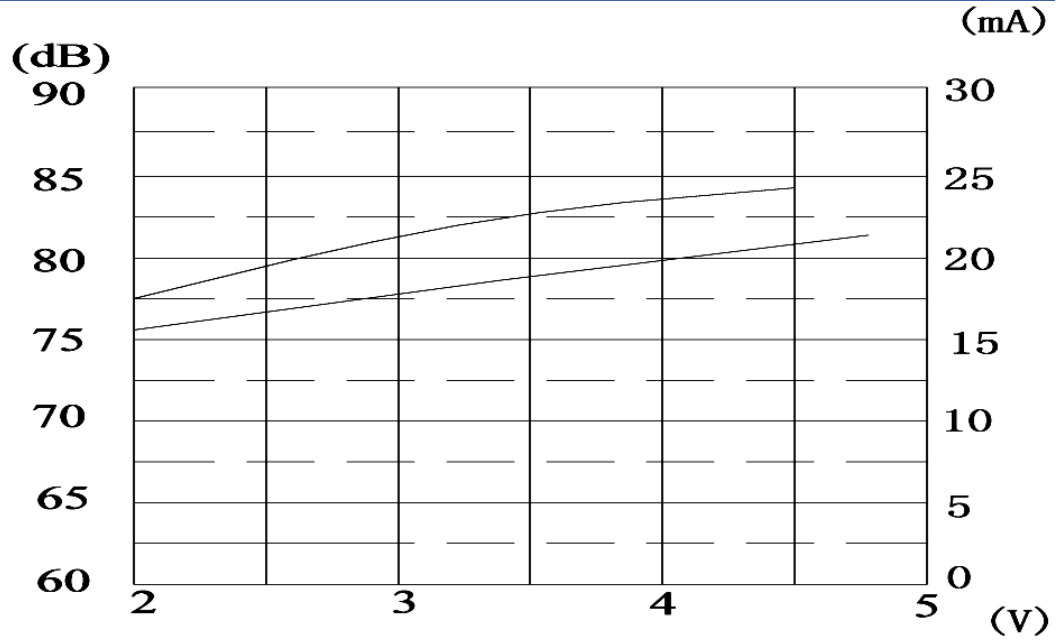
Operating Characteristics

ELECTRICAL

Rated Voltage	3 VDC
Operating Voltage	2 to 5 VDC
Max Current at Vmax	30 mA

ACOUSTIC

Tone Category	Continuous
Description	Steady
Center f	2300 \pm 300 Hz
Min SPL at Vrated	80 dB
Test Conditions	10 cm



Physical Characteristics

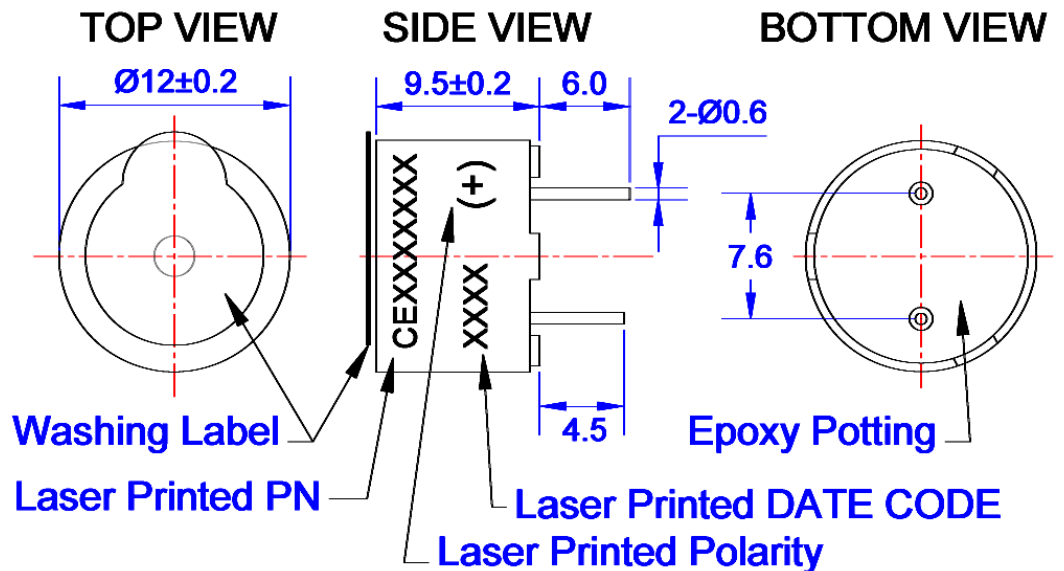
MATERIALS

Housing	Plastic
Contact	Tin Plated

TEMPERATURE RANGES

Operating	-30 to +70 °C
Storage	-40 to +85 °C

Weight	2 g
Termination	Through Hole



Revision	Description	By	Date
1-2018	Migrate to new format. Corrected Voltage Type from Vpp to Vdc.	JL	2018-11-15

Warranty: For a period of one (1) year from date of shipping under normal operations conditions This warranty does not apply to products damaged through misuse, abuse, improper installation, alteration, rework, or attempt to repair.