



# PRODUCT INFORMATION

Abbreviated Part #:	<b>CEMB264I-408</b>	Revision: 1-2013
PART #:	<b>CEMB264I176-408C400W150R</b>	



## Mechanical Buzzer

### DESCRIPTION

Challenge Electronics Mechanical Buzzer, 26.4 mm Long, 26.0 mm Wide, W Type Housing, 17.6 mm High, 4 to 8 Vdc Operating Voltage, Continuous Tone, Medium Loud, 400 Hz. sound frequency, PCB mounted, Wire Leads 28 AWG 150 mm Long color coded Termination, RoHS Lead Free Compliance

### FEATURES

- RoHS, Lead Free Compliant
- ISO 9001 & QS900 Certified



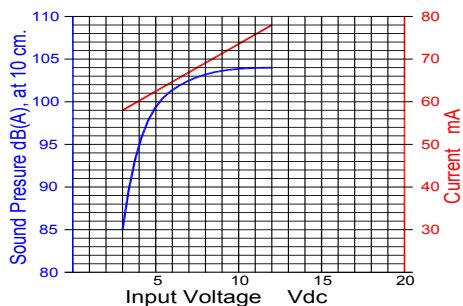
### SPECIFICATIONS

Sound Type	Continuous			Rate		
Operating Voltage	4 - 8 Vdc	Rated Voltage	6 Vdc	Maximum Current at Rated Voltage	33 mA	
Sound Pressure Level	95 dB(A), at rated Voltage and 10 cm			Resonant Frequency	400 ± 100 Hz.	
Operating Temperature	-20 °C to + 60°C			Storage Temperature	-30 °C to + 70°C	
Termination	Wire leads, 28 AWG, UL 1007, 5.9" (150 mm) Long, Striped 0.196" (5.0 mm). Color Coded: Red = Positive, Black Stripe = Negative					
Material	NORYL, Plastic				Color	Black
Dimensions	Long (L)	41.0 mm	Width (W)	26.4 mm	Height (H)	17.6 mm
					Mounting Holes distance	32.0 mm
Approximate Weight	17 grams	Mounting	Flange Panel with 2 screws	Compliance	RoHS Lead Free	
Packaging	35 parts per Foam, 350 parts Stack, 700 parts per Carton					

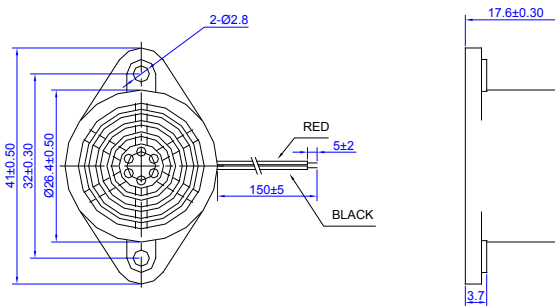
### RELIABILITY

Thermal Operating Temperature Test	240 hours continuous operation at Rated Power, at Maximum Rated Operating Temperature *
	240 hours continuous operation at Rated Power, at Minimum Rated Operating Temperature *
Thermal Storage Temperature Test	240 hours storage at Maximum Rated Storage Temperatures *
	240 hours storage at Minimum Rated Storage Temperatures *
Thermal Shock Test	(5) cycles of Minimum and Maximum Operating Temperature Each cycle shall be set per diagram below and is three (3) hours long *
Humidity Test	240 Hours at +40°C±2°C. 90-95% RH *
Operation Life Test	Must perform normal with program White Noise source at Rated Power for 100 Hours per (EIA)
Vibration Test	After parts are subjected to 2 Hours of at 1.5 mm with 10 to 55 Hz. vibration frequency to each of 3 perpendicular directions *
Termination Strength	Maximum of 9.8 N (1.0 Kg) load pull test, applied to each terminal in axial direction for 10 seconds
Drop Test	After parts are subjected to dropped naturally from 1 meter height onto the surface of 40 mm wooden board, 3 axes (X,Y,Z) directions, 3 times (9 times total) *
Reliability Test Performance *	Parts should conform to original performance within ±5 dB tested with Rated Power, after 3 hours of recovery period
Warranty	For a period of one (1) year from date of shipping under normal operations conditions

### PERFORMANCE CURVE:



### DIMENSIONS:

 Units in: mm Tolerance: ±0.5mm




**Challenge Electronics**  
95 East Jefryn Boulevard  
Deer Park, NY 11729

**Tel: 1-800-722-8197**  
**1-631-595-2217**  
**Fax: 1-631-667-5484**

**EMAIL: SALES@CHALLELEC.COM**  
**WEB: WWW.CHALLENGEELECTRONICS.COM**

<b>Revision</b>	<b>Description</b>	<b>By</b>	<b>Date</b>
1-2013	Revised SPL from 30cm to 10cm	Walter Sargent	9/16/2013