

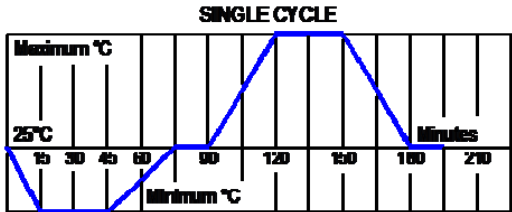




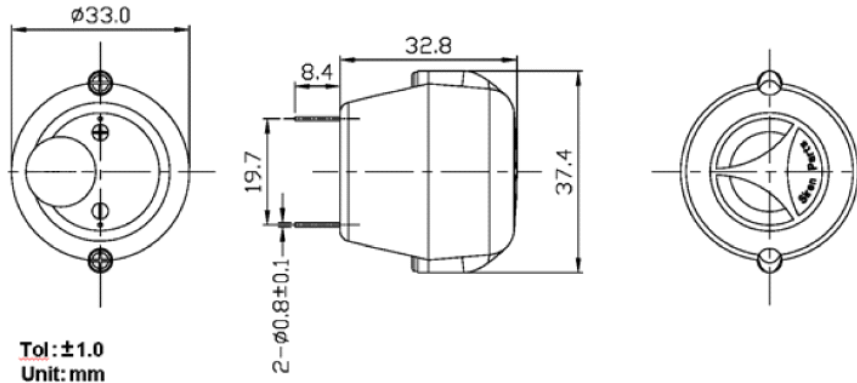
PRODUCT INFORMATION

PART #	CEPB330R412-714S30PR							Revision: 0-2014	
	PIEZOELECTRIC SIREN BUZZER								
DESCRIPTION					FEATURES				
Challenge Electronics Piezoelectric Buzzer; 33.0 mm Diameter; R style case Panel Flange Mount; 41.2 mm High; 7-14 Vdc; Siren Tone Extra Loud; 2,000 to 3,500 Hz. Frequency; Sound Pressure Level at 100 dB(A) at 61 cm and Nominal Voltage; PC Pins termination; RoHS Compliant					<ul style="list-style-type: none"> • RoHS Compliant • ISO 9001 Certified 				
SPECIFICATIONS									
Alarm Type	Siren Tone, Extra Loud,				Sweep Rate	4 ± 10% Cycles per second			
Operating Voltage	7 – 14 Vdc	Nominal Voltage	12 Vdc	Sweeping Frequency	2,000 to 3,500 Hz.				
Sound Pressure Level	Minimum	At 7 Vdc	98 dB(A)	At 12 Vdc	102 dB(A)	At 14 Vdc	103 dB(A)		
	SPL is measured at 24" (61 cm), 25°C, with Sound Level Meter # 2240, Type 2, Fast Response, "A" Weighted								
Operating Current	Maximum	100 mA at 7 Vdc		130 mA AT 12 Vdc		150 mA at 14 Vdc			
Operating Temperature	-20°C to + 60°C		Storage Temperature	-40 °C to + 80°C					
Material	Housing	Plastic, ABS, UL-94 1/16" HB, High Heat, or equal, Black				Sound Port Opening	Front		
	Diaphragm	Brass				Encapsulation	Plastic Back Cover		
	Termination	PC Pins, 0.8 mm Ø, 8.4 mm Long, Brass Electro Tin Plated							
Physical Dimensions	Diameter	33.0 mm Ø	Width (W)	37.4 mm Ø	Height (H)	41.2 mm	Pin Spacing	19.7 mm	
Mounting	Panel Opening Hole	33.0 mm Ø	Screw Mounting Holes Diameter	4.6 mm Ø	Holes #	2			
Approximate Weight	20 grams	Removable Washing Label	No	Compliance	RoHS, Lead Free				
Options									
RELIABILITY									
Thermal Operating Temperature Test	96 hours continuous operation at Rated Voltage, at Maximum Rated Operating Temperature *								
	96 hours continuous operation at Rated Voltage, at Minimum Rated Operating Temperature *								
Thermal Storage Temperature Test	96 hours storage at Maximum Rated Storage Temperatures *								
	96 hours storage at Minimum Rated Storage Temperatures *								
Thermal Shock Test	5 cycles of Minimum and Maximum Operating Temperature Each cycle shall be set per diagram and is 3 hours long *								
Humidity Test	120 Hours at +60°C±2°C. 90-95% RH *								
Vibration Test	2 Hours of at 1.5 mm with 10 to 55 Hz. vibration frequency to each of 3 perpendicular directions *								
Termination Strength	Maximum of 9.8 N (1.0 Kg) load pull test, applied to each terminal in axial direction for 10 seconds								
Drop Test	Dropped naturally from 750 mm height onto the surface of 40 mm wooden board, 3 axes (X,Y,Z) directions, 3 times each (9 times total) *								
Solderability	Terminal leads are immersed in rosin for 5 seconds and then immersed in solder-bath of +270°C for 3±1 seconds								
* Reliability Test Performance	Parts should conform to original performance within ±3dB, after 3 hours of recovery period								
Life Test	Intermittent	1,000 hours of a 1 minute on 4 minutes off cycle at room temperature and maximum rated voltage							
	Continuous	250 hours continuous operation at maximum rated Voltage and maximum Operating Temperatures							
Warranty	For a period of one (1) year from date of shipping under normal operations conditions This warranty does not apply to products damaged through misuse, abuse, improper installation, alteration, rework, or attempt to repair								

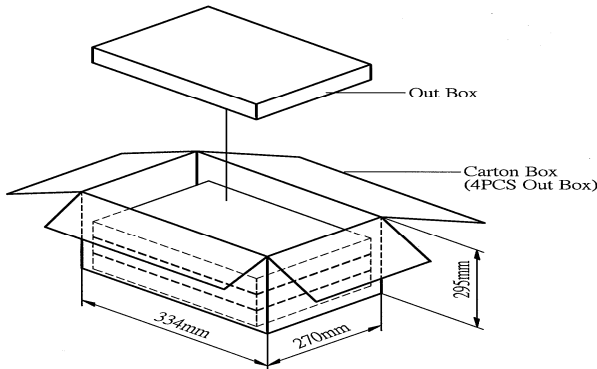
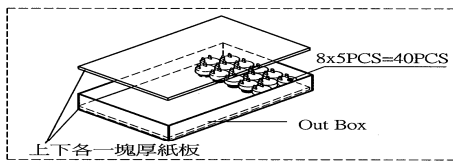


DIMENSIONS Units in: mm Tolerance: ± 0.5 mm

SPL and Current vs. Input Voltage Response



PACKAGING



MARKING		TRAY	
Bundle	Dimensions	X1	31 cm
Customer PN		Y1	24.8 cm
Other PN if required		Z1	4.9 cm
Quantity	Quantity	40	
Lot and/or Date Code	BUNDLE		
Bundle Number	Dimensions	X2	cm
Shipping Box		Y2	cm
Customer Part Number		Z2	cm
Other PN (if required)	Quantity		
Quantity	SHIPPING BOX		
Lot and/or Date Code	Dimensions	X3	33.4 cm
PO Number		Y3	27 cm
Net Weight		Z3	29.5 cm
Gross Weight	Number of Tray Boxes	4	
Box Number of Boxes	Quantity	160	
Made in China	Approximate Weight		

Revision	Description	By	Date