




PRODUCT INFORMATION

PART #	CEPB418I160-324A28WR	Revision: 1-2011
---------------	-----------------------------	-------------------------



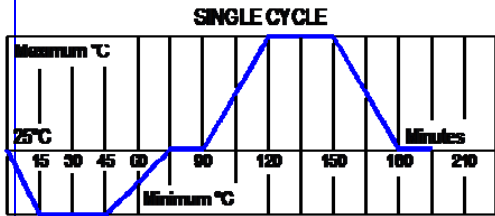
Piezoelectric Buzzer

DESCRIPTION	FEATURES	
Challenge Electronics Piezoelectric Buzzer, 41.8 mm diameter, I type case (Flange Mounting and TOP Sound Port), 16.0 mm Height, 3 to 24 Vdc operation, Slow Intermittent Tone, 2,800 Hz Resonant Frequency, with a minimum output of 90 dB(A) at Rated Voltage and 30 cm, Wire Leads 50 mm Long Termination, RoHS Lead Free compliant	<ul style="list-style-type: none"> • RoHS, Lead Free Compliant • ISO 9001 	

SPECIFICATIONS

Sound Type	Slow Intermittent Tone	Operating Voltage	3.0 - 24 Vdc	Rated Voltage	12.0 Vpp	
Resonant Frequency	2,800 ± 300 Hz.	Pulse Rate	1 ± 50% per Second	Maximum Current	9 mA, at Rated Voltage	
Sound Pressure Level	90 dB(A), at: rated Voltage, 30 cm					
Operating Temperature	-20°C to + 60°C	Storage Temperature	-30°C to + 70°C			
Termination	Wire Leads, 24 AWG, UL 1007, 5.51" (50 mm) Long, Stripped 0.196" (5.0 mm) Color Coded: RED = Positive; BLACK = Negative					
Material	Case	I type, Plastic, ABS or equal		Diaphragm	Brass	
	Encapsulation	Back Cover				
Sound Port Direction	Top	Mounting	Flange Mount with 2 Screws		Mounting Hole Spacing	50.0 mm
Physical Dimensions	Length or Diameter (L /D)	41.8 mm Ø	Height (H)	16.0 mm		
Approximate Weight	15 grams	Removable Washing Label	No	Compliance	RoHS, Lead Free	
Options						

RELIABILITY

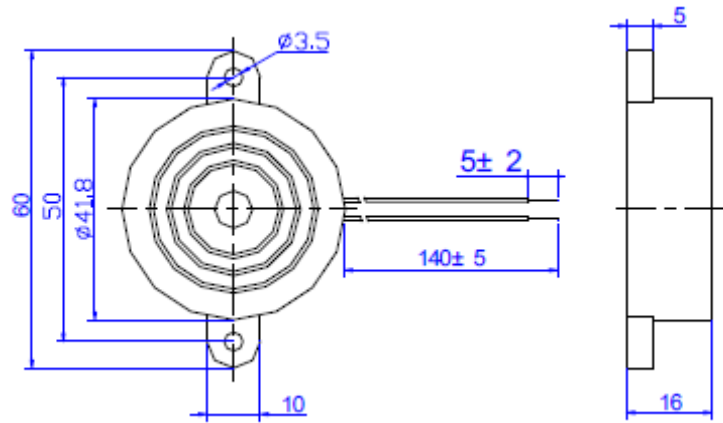
Thermal Operating Temperature Test	240 hours continuous operation at Rated Voltage, at Maximum Rated Operating Temperature *	
	240 hours continuous operation at Rated Voltage, at Minimum Rated Operating Temperature *	
Thermal Storage Temperature Test	240 hours storage at Maximum Rated Storage Temperatures *	
	240 hours storage at Minimum Rated Storage Temperatures *	
Thermal Shock Test	<p>5 cycles of Minimum and Maximum Operating Temperature, Each cycle shall be set per diagram below and is three (3) hours long *</p> 	
Humidity Test	240 Hours at +40°C±2°C. 90-95% RH *	
Insulation Test	A minimum of 10 MΩ, measured with 100 Vdc Insulation Resistance Meter, between the Electrical Terminals and the Transducer Case	
Vibration Test	2 Hours of at 1.5 mm with 10 to 55 Hz. vibration frequency to each of 3 perpendicular directions *	
Termination Strength	Maximum of 9.8 N (1.0 Kg) load pull test, applied to each terminal in axial direction for 10 seconds	
Drop Test	Dropped naturally from 750 mm height onto the surface of 40 mm wooden board, 3 axes (X,Y,Z) directions, 3 times (6 times total) *	
Solderability	Terminal leads are immersed in rosin for 5 seconds and then immersed in solder-bath of +270°C for 3±1 seconds	
Soldering Heat Resistance	Terminal leads are immersed, up to 1.5 mm from part case, in rosin for 5 seconds and then immersed in solder-bath of +350±5°C for 3±0.5 seconds or +260±5°C for 10±1 seconds	
Reliability Test Performance *	Parts should conform to original performance within ±3dB, after 3 hours of recovery period	
Operation Life Test	Continuous	240 hours of continuous operation, at Rated Voltage, each at Minimum & Maximum Rated Operating Temperatures
	Intermittent	One thousand (1,000) hours of: 1 minute ON 4 minutes OFF cycle, at Room Temperature, and Rated Voltage
Warranty	For a period of one (1) year from date of shipping under normal operations conditions	

The information contained herein is believed to be correct, but no guarantee or warranty, express or implied, with respect to accuracy, completeness or results is extended and no liability is assumed. Challenge Electronics reserves the right to make changes in any specification, data or material contained herein.

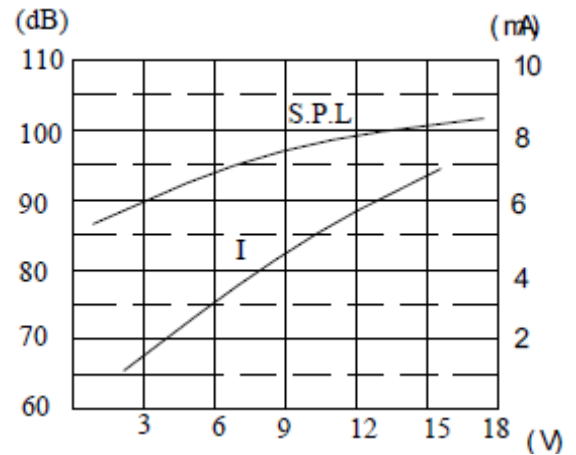


DIMENSIONS

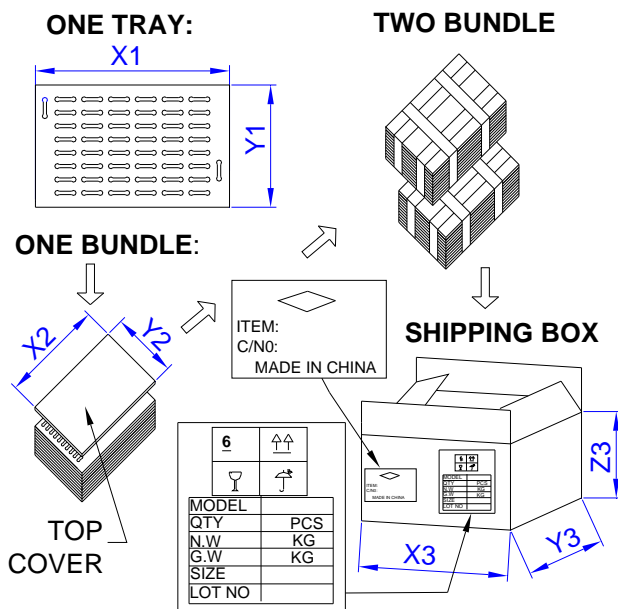
Units in: mm, Tolerance: ± 0.5mm unless specified otherwise.



SPL vs. FREQUENCY RESPONSE



PACKAGING



MARKING		TRAY	
Bundle		X1	20.5 cm
Customer PN	Dimensions	Y1	15 cm
Other PN if required		Z1	8 cm
Quantity	Quantity	90	
Lot and/or Date Code	BUNDLE		
Bundle Number		X2	
Shipping Box	Dimensions	Y2	
Customer Part Number		Z2	
Other PN (if required)	Quantity		
Quantity	SHIPPING BOX		
Lot and/or Date Code		X3	50.5 cm
PO Number	Dimensions	Y3	32 cm
Net Weight		Z3	30.5 cm
Gross Weighjt	Number of Bundles	10	
Box Number	Quantity	900	
of Number of Boxes	Approximate Weight		
Made in China			