
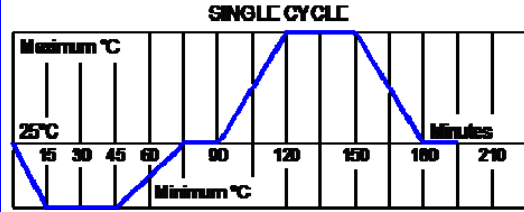




PRODUCT INFORMATION

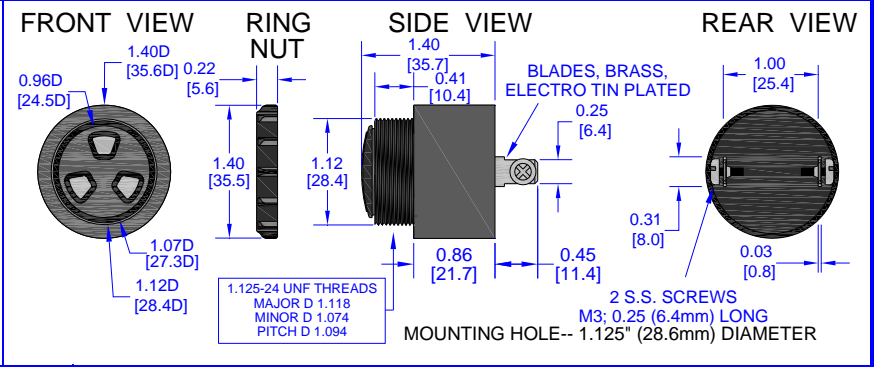
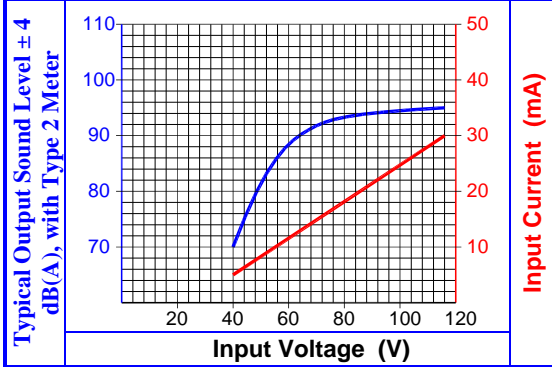
Part #: CE-HM201ASS

Revision: 4-2014

DESCRIPTION		FEATURES				
<p>Challenge Electronics CHIME Tone, MEDIUM Loud; 40 to 120 Vac; A style case Rear Panel Mounting in 1.125" (28.6 mm) Hole; Sound Pressure Level of 94 dB(A) at 117 Vac at 61 cm; 2,900 Hz. Output Frequency; S two 0.25" (6.4 mm) Blades with M3 0.25" (6.4 mm) long Stainless Steel Screws termination; Slow Rate 1 pulse per second; Piezoelectric Alarm; RoHS Compliant</p>		<ul style="list-style-type: none"> ◆ Reliable Solid State Piezoelectric Technology ◆ Corrosion resistant Stainless Steel Diaphragm ◆ Flame Retardant Plastic ◆ Extended storage temperature ◆ Hermetically Sealed Alarm ◆ Water Proof, NEMA 3R, 4X, or 12 with Gasket (not supplied) ◆ RoHS, Lead Free Compliance ◆ ISO 9001:2008 & ISO-TS 16949:2009 Certified 				
<p>SPECIFICATIONS</p>						
Operating Mode	Medium Loud, Slow Chime Tone		Pulse Rate	1 ± 10% Pulse per Second		
Operating Voltage	40 to 120 Vac	Nominal Operating Voltage	117 Vac	Operating Frequency	2,900 ± 250 Hz.	
Typical Loudness	At 40 Vac	70 ± 5 dB(A)		At 117 Vac	94 ± 3 dB(A)	
	SPL is measured at 24" (61 cm), 25°C, Sound Level meter # 2240, Type 2, Fast Response, A-Weighted					
Typical Operating Current	5 mA at 40 Vac			30 mA at 117 Vac		
Operating Temperature	-30°C to +65°C	Storage Temperature	-40°C to +100°C			
Surge Voltage	20% over maximum Operating Voltage for less than 5 minutes					
Polarity Protection	Protected against Reversed Voltage to the Maximum Operating Voltage					
Materials	Alarm Case	Plastic, "A" Case, NORYL™, PX9406 or equal, flame retardant UL 94-V0, Black				
	Diaphragm	Stainless Steel 304				
	Encapsulation	Silicon Potting covering SMD components topped with 2 parts epoxy potting, Black				
	Termination	Two, 0.25 (6.4 mm) Quick Connect Blades, 0.032Ø (0.8Ø mm) Wide, Brass, Electro-Tin plated With M3 0.25" (6.4 mm) long Stainless Steel Screws.				
Physical Dimensions	Length or Diameter (L/D)	1.46" (37.1 mm) Ø	Width (W)		Height (H)	1.4" (35.7 mm)
Panel Mounting	From the Rear with Plastic Ring Nut	Mounting Hole	1.125" (28.6mm) Ø	Max. Panel Thickness	0.25" (6.3 mm)	
Approximate Weight	35 grams	Rotor Volume Control	No	Compliance	RoHS	
Available Options	Rotor Volume Control, Water Proof Gasket, Mounting Bracket, and variety of connectors terminated on the Wire Lead ends					
RELIABILITY						
Thermal Operating Temperature Test	96 hours continuous operation at Rated Voltage, at Maximum Rated Operating Temperature *					
	96 hours continuous operation at Rated Voltage, at Minimum Rated Operating Temperature *					
Thermal Storage Temperature Test	96 hours storage at Maximum Rated Storage Temperatures *					
	96 hours storage at Minimum Rated Storage Temperatures *					
Thermal Shock Test	<p>5 cycles of Minimum and Maximum Operating Temperature Each cycle shall be set per diagram below and is 3 hours long *</p>					
Humidity Test	120 Hours at +60°C±2°C. 90-95% RH *					
Salt Spray	Withstand exposure to salt spray per ASTM B117 for a period of 300 hours *					
Water & Dust Exposure	Withstands water submergence and dust exposure per IP-68 *					
Vibration Test	2 Hours at 1.5 mm with 10 to 55 Hz. of vibration frequency to each of 3 perpendicular direction *					
Drop Test	Dropped naturally from 1 meter height onto the surface of 10mm wooden board, 2 directions upper and side of the part are applied *					
Termination Strength	Maximum of 15 pounds (6.8 Kg) load pull test and of 4 lb. per inch driving torque on screw					
* Reliability Test Performance	Parts should conform to original performance within ±3dB, after 3 hours of recovery and dry period					
Life Test	Intermittent	1,000 hours of a 1 minute on 4 minutes off cycle at room temperature and maximum rated Voltage				
	Continuous	250 hours continuous operation at room temperature and maximum rated Voltage				
Warranty	For a period of one (1) year from date of shipping under normal operations conditions This warranty does not apply to products damaged through misuse, abuse, improper installation, alteration, rework, or attempt to repair					



Current Draw and Loudness Vs. Input Voltage	DIMENSIONS	Units	Inches (mm)	Tolerance	0.030 (0.7)
--	-------------------	--------------	--------------------	------------------	--------------------



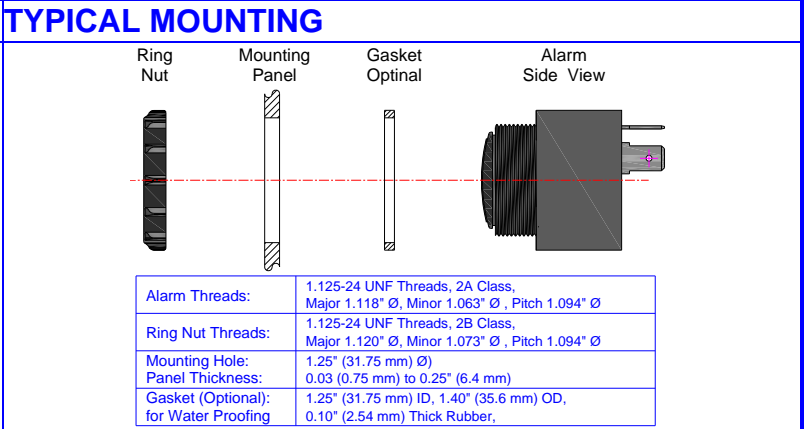
ALARM MAKING

On side Case:

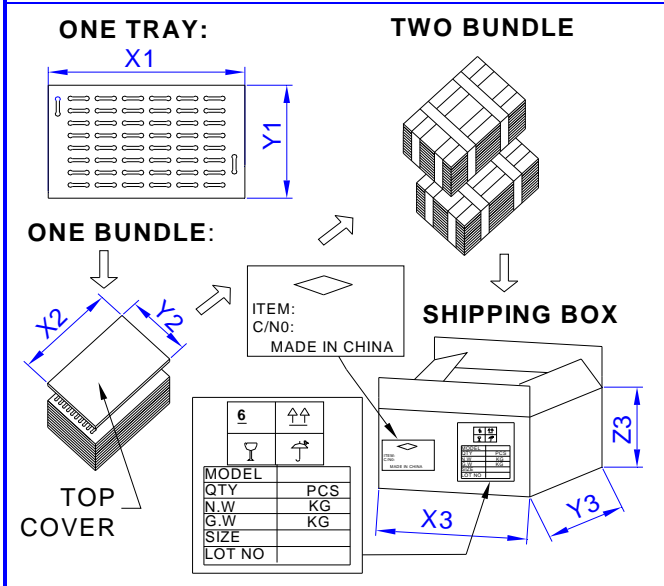
Part Number
Sound Type
Operating Voltage Range / Date Code
Challenge Electronics
Made in China

On Back:

Polarity



PACKAGING



MARKING	TRAY	
Bundle		
Part Number	Dimensions	X1 34.7 cm
Other PN if required		Y1 34.7 cm
Quantity		Z1 21.2 cm
Lot and/or Date Code	Quantity	42
	BUNDLE	
Bundle Number		X2 cm
Shipping Box	Dimensions	Y2 cm
Part Number		Z2 cm
Other PN (if required)		Quantity
	SHIPPING BOX	
Lot and/or Date Code		X3 35 cm
PO Number	Dimensions	Y3 35 cm
Net Weight		Z3 22.5 cm
Gross Weight	Number of Bundles	1
Box Number of Boxes	Quantity	250
Made in China	Approximate Weight	9 Kg.

Revision	Description	By	Date
3-2012	Modified Dimensions Drawing	Ely Zofan	12/17/2012
4-2014	Updated Specifications	Ely Zofan	6/18/2014