



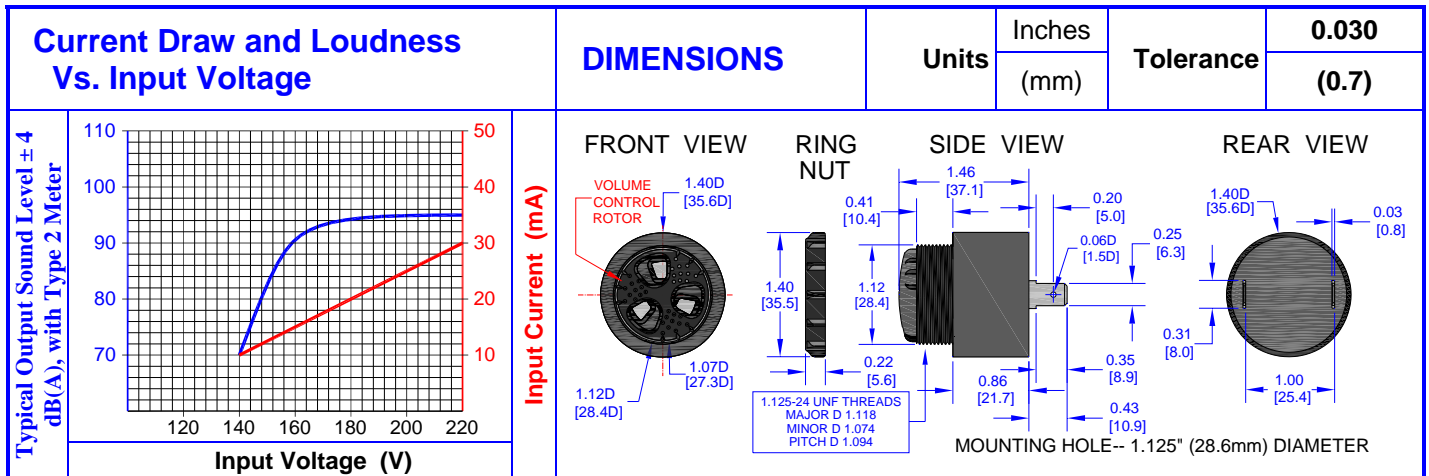
PRODUCT INFORMATION

Part #: **CE-HM301AVQM**

Revision: 3-2012



DESCRIPTION		FEATURES			
Challenge Electronics CHIME Tone, MEDIUM Loud, 130 to 220 Vac, A style case Rear Panel Mounting in 1.125" (28.6 mm) Hole, Sound Pressure Level of 93 dB(A) at 220 Vac at 61 cm, 2,900 Hz. Output Frequency, Quick Connect Blades termination, Moderate Rate 2 pulses per second, Piezoelectric Alarm with a mechanical Volume Control, RoHS Compliant		<ul style="list-style-type: none"> ◆ Reliable Solid State Piezoelectric Technology ◆ Corrosion resistant Stainless Steel Diaphragm ◆ Flame Retardant Plastic ◆ Extended storage temperature ◆ Hermetically Sealed Alarm ◆ Water Proof, NEMA 3R, 4X, or 12 with Gasket (not supplied) ◆ RoHS, Lead Free Compliance ◆ ISO 9001 Certified 			
SPECIFICATIONS					
Operating Mode	Medium Loud, Moderate Chime Tone	Pulse Rate	2 ± 10% Pulses per Second		
Operating Voltage	130 to 220 Vac	Nominal Operating Voltage	220 Vac		
Operating Frequency	2,900 ± 250 Hz.				
Typical Loudness	At Minimum Voltage	70 ± 5 dB(A), at 130 Vac, 24 inches (61 cm), 25°C			
	At Maximum Voltage	93 ± 3 dB(A), at 220 Vac, 24 inches (61 cm), 25°C			
Volume Control	Maximum Sound Pressure Level can be restricted up to 20 dB from maximum output. (Note, The Volume Control Rotor may reduce maximum loudness) To install, simply, push the ROTOR onto the front of alarm until it snapped in place To attenuate sound, while alarm is turned on, rotate the ROTOR until maximum desired sound is achieved				
Typical Operating Current	At Minimum Voltage	10 mA at 130 Vac	At Maximum Voltage	30 mA at 220 Vac	
Operating Temperature	-30°C to +65°C		Storage Temperature	-40°C to +105°C	
Surge Voltage	20% over maximum Operating Voltage for less than 5 minutes				
Materials	Alarm Case	Plastic, "A" Case, NORYL™, PX9406 or equal, flame retardant UL 94-V0, Black			
	Diaphragm	Stainless Steel 304			
	Encapsulation	Two parts epoxy resin or silicone potting, Black			
	Termination	Two, 0.25 (6.4 mm) Quick Disconnect Blades, 0.032Ø (0.8Ø mm) wide, Brass, Electro-Tin plated			
Physical Dimensions	Length or Diameter (L /D)	1.46" (37.1 mm) Ø	Width (W)	Height (H)	1.46" (37.1 mm)
Approximate Weight	35 grams	Removable Washing Label	No	Compliance	RoHS
Available Options					
RELIABILITY					
Thermal Operating Temperature Test	240 hours continuous operation at Rated Power, at Maximum Rated Operating Temperature * 240 hours continuous operation at Rated Power, at Minimum Rated Operating Temperature *				
Thermal Storage Temperature Test	96 hours storage at Maximum Rated Storage Temperatures * 96 hours storage at Minimum Rated Storage Temperatures *				
Thermal Shock Test	5 cycles of Minimum and Maximum Operating Temperature Each cycle shall be set per diagram below and is 3 hours long *				
Humidity Test	120 Hours at +60°C±2°C. 90-95% RH *				
Salt Spray	Withstand exposure to salt spray per ASTM B117 for a period of 300 hours *				
Water & Dust Exposure	Withstands water submergence and dust exposure per IP-68 *				
Vibration Test	2 Hours at 1.5 mm with 10 to 55 Hz. of vibration frequency to each of 3 perpendicular direction *				
Drop Test	Dropped naturally from 1 meter height onto the surface of 10mm wooden board, 2 directions upper and side of the part are applied *				
Termination Strength	Maximum of 15 pounds (6.8 Kg) load pull test				
* Reliability Test Performance	Parts should conform to original performance within ±3dB, after 3 hours of recovery and dry period				
Life Test	Intermittent	1,000 hours of a 1 minute on 4 minutes off cycle at room temperature and maximum rated voltage			
	Continuous	250 hours continuous operation at maximum rated Voltage and maximum Operating Temperatures			
Warranty	For a period of one (1) year from date of shipping under normal operations conditions This warranty does not apply to products damaged through misuse, abuse, improper installation, alteration, rework, or attempt to repair				



PACKAGING																																																																								
<p>ONE TRAY:</p> <p>TWO BUNDLE</p> <p>ONE BUNDLE:</p> <p>SHIPPING BOX</p> <p>TOP COVER</p>	<p>MARKING</p> <p>ITEM: C/NO: MADE IN CHINA</p> <table border="1" style="width: 100%; border-collapse: collapse;"> <tr> <td>6</td> <td>↑↑</td> </tr> <tr> <td>↑</td> <td>↑</td> </tr> <tr> <td>↑</td> <td>↑</td> </tr> <tr> <td>↑</td> <td>↑</td> </tr> </table>	6	↑↑	↑	↑	↑	↑	↑	↑	<table border="1" style="width: 100%; border-collapse: collapse;"> <tr> <td>Bundle</td> <td rowspan="3" style="text-align: center; vertical-align: middle;">Dimensions</td> <td>X1</td> <td>34.7 cm</td> </tr> <tr> <td>Customer PN</td> <td>Y1</td> <td>34.7 cm</td> </tr> <tr> <td>Other PN if required</td> <td>Z1</td> <td>21.2 cm</td> </tr> <tr> <td>Quantity</td> <td>Quantity</td> <td colspan="2" style="text-align: center;">42</td> </tr> <tr> <td>Lot and/or Date Code</td> <td colspan="3" style="text-align: center;">BUNDLE</td> </tr> <tr> <td>Bundle Number</td> <td rowspan="3" style="text-align: center; vertical-align: middle;">Dimensions</td> <td>X2</td> <td>cm</td> </tr> <tr> <td>Shipping Box</td> <td>Y2</td> <td>cm</td> </tr> <tr> <td>Customer Part Number</td> <td>Z2</td> <td>cm</td> </tr> <tr> <td>Other PN (if required)</td> <td>Quantity</td> <td colspan="2"></td> </tr> <tr> <td>Quantity</td> <td colspan="3" style="text-align: center;">SHIPPING BOX</td> </tr> <tr> <td>Lot and/or Date Code</td> <td rowspan="3" style="text-align: center; vertical-align: middle;">Dimensions</td> <td>X3</td> <td>35 cm</td> </tr> <tr> <td>PO Number</td> <td>Y3</td> <td>35 cm</td> </tr> <tr> <td>Net Weight</td> <td>Z3</td> <td>22.5 cm</td> </tr> <tr> <td>Gross Weight</td> <td>Number of Bundles</td> <td colspan="2" style="text-align: center;">1</td> </tr> <tr> <td>Box Number</td> <td>Quantity</td> <td colspan="2" style="text-align: center;">250</td> </tr> <tr> <td>of Number of Boxes</td> <td>Approximate Weight</td> <td colspan="2" style="text-align: center;">9 Kg.</td> </tr> <tr> <td>Made in China</td> <td colspan="3"></td> </tr> </table>	Bundle	Dimensions	X1	34.7 cm	Customer PN	Y1	34.7 cm	Other PN if required	Z1	21.2 cm	Quantity	Quantity	42		Lot and/or Date Code	BUNDLE			Bundle Number	Dimensions	X2	cm	Shipping Box	Y2	cm	Customer Part Number	Z2	cm	Other PN (if required)	Quantity			Quantity	SHIPPING BOX			Lot and/or Date Code	Dimensions	X3	35 cm	PO Number	Y3	35 cm	Net Weight	Z3	22.5 cm	Gross Weight	Number of Bundles	1		Box Number	Quantity	250		of Number of Boxes	Approximate Weight	9 Kg.		Made in China			
6	↑↑																																																																							
↑	↑																																																																							
↑	↑																																																																							
↑	↑																																																																							
Bundle	Dimensions	X1	34.7 cm																																																																					
Customer PN		Y1	34.7 cm																																																																					
Other PN if required		Z1	21.2 cm																																																																					
Quantity	Quantity	42																																																																						
Lot and/or Date Code	BUNDLE																																																																							
Bundle Number	Dimensions	X2	cm																																																																					
Shipping Box		Y2	cm																																																																					
Customer Part Number		Z2	cm																																																																					
Other PN (if required)	Quantity																																																																							
Quantity	SHIPPING BOX																																																																							
Lot and/or Date Code	Dimensions	X3	35 cm																																																																					
PO Number		Y3	35 cm																																																																					
Net Weight		Z3	22.5 cm																																																																					
Gross Weight	Number of Bundles	1																																																																						
Box Number	Quantity	250																																																																						
of Number of Boxes	Approximate Weight	9 Kg.																																																																						
Made in China																																																																								

The information contained herein is believed to be correct, but no guarantee or warranty, express or implied, with respect to accuracy, completeness or results is extended and no liability is assumed.
 Challenge Electronics reserves the right to make changes in any specification, data or material contained herein.