



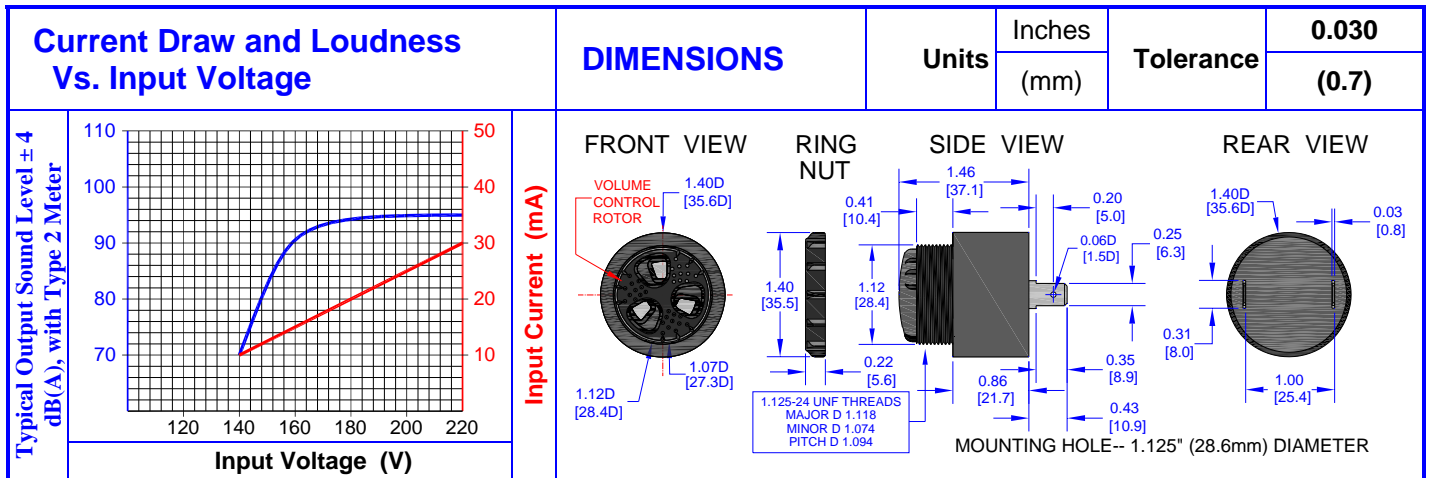
# PRODUCT INFORMATION

Part #: **CE-HM301AVQS**

Revision: 3-2012



DESCRIPTION		FEATURES			
<b>Challenge Electronics CHIME Tone, MEDIUM Loud, 130 to 220 Vac, A style case Rear Panel Mounting in 1.125" (28.6 mm) Hole, Sound Pressure Level of 93 dB(A) at 220 Vac at 61 cm, 2,900 Hz. Output Frequency, Quick Connect Blades termination, Slow Rate 1 pulse per second, Piezoelectric Alarm with a mechanical Volume Control, RoHS Compliant</b>		<ul style="list-style-type: none"> <li>◆ Reliable Solid State Piezoelectric Technology</li> <li>◆ Corrosion resistant Stainless Steel Diaphragm</li> <li>◆ Flame Retardant Plastic</li> <li>◆ Extended storage temperature</li> <li>◆ Hermetically Sealed Alarm</li> <li>◆ Water Proof, NEMA 3R, 4X, or 12 with Gasket (not supplied)</li> <li>◆ RoHS, Lead Free Compliance</li> <li>◆ ISO 9001 Certified</li> </ul>			
SPECIFICATIONS					
Operating Mode	Medium Loud, Slow Chime Tone		Pulse Rate	1 ± 10% Pulse per Second	
Operating Voltage	130 to 220 Vac		Nominal Operating Voltage	220 Vac	
Operating Frequency	2,900 ± 250 Hz.				
Typical Loudness	At Minimum Voltage	70 ± 5 dB(A), at 130 Vac, 24 inches (61 cm), 25°C			
	At Maximum Voltage	93 ± 3 dB(A), at 220 Vac, 24 inches (61 cm), 25°C			
Volume Control	Maximum Sound Pressure Level can be restricted up to 20 dB from maximum output. (Note, The Volume Control Rotor may reduce maximum loudness) To install, simply, push the ROTOR onto the front of alarm until it snapped in place To attenuate sound, while alarm is turned on, rotate the ROTOR until maximum desired sound is achieved				
Typical Operating Current	At Minimum Voltage	10 mA at 130 Vac	At Maximum Voltage	30 mA at 220 Vac	
Operating Temperature	-30°C to +65°C		Storage Temperature	-40°C to +105°C	
Surge Voltage	20% over maximum Operating Voltage for less than 5 minutes				
Materials	Alarm Case	Plastic, "A" Case, NORYL™, PX9406 or equal, flame retardant UL 94-V0, Black			
	Diaphragm	Stainless Steel 304			
	Encapsulation	Two parts epoxy resin or silicone potting, Black			
	Termination	Two, 0.25 (6.4 mm) Quick Disconnect Blades, 0.032Ø (0.8Ø mm) wide, Brass, Electro-Tin plated			
Physical Dimensions	Length or Diameter (L /D)	1.46" (37.1 mm) Ø	Width (W)	Height (H)	1.46" (37.1 mm)
Approximate Weight	35 grams	Removable Washing Label	No	Compliance	RoHS
Available Options					
RELIABILITY					
Thermal Operating Temperature Test	240 hours continuous operation at <b>Rated Power</b> , at <b>Maximum Rated Operating Temperature</b> * 240 hours continuous operation at <b>Rated Power</b> , at <b>Minimum Rated Operating Temperature</b> *				
Thermal Storage Temperature Test	96 hours storage at <b>Maximum Rated Storage Temperatures</b> * 96 hours storage at <b>Minimum Rated Storage Temperatures</b> *				
Thermal Shock Test	5 cycles of <b>Minimum and Maximum Operating Temperature</b> Each cycle shall be set per diagram below and is 3 hours long *		<p><b>SINGLE CYCLE</b></p> <p>Maximum °C</p> <p>25°C</p> <p>15 30 45 60 90 120 150 180 210 Minutes</p> <p>Minimum °C</p>		
Humidity Test	120 Hours at +60°C±2°C. 90-95% RH *				
Salt Spray	Withstand exposure to salt spray per ASTM B117 for a period of 300 hours *				
Water & Dust Exposure	Withstands water submergence and dust exposure per IP-68 *				
Vibration Test	2 Hours at 1.5 mm with 10 to 55 Hz. of vibration frequency to each of 3 perpendicular direction *				
Drop Test	Dropped naturally from 1 meter height onto the surface of 10mm wooden board, 2 directions upper and side of the part are applied *				
Termination Strength	Maximum of 15 pounds (6.8 Kg) load pull test				
* Reliability Test Performance	Parts should conform to original performance within ±3dB, after 3 hours of recovery and dry period				
Life Test	Intermittent	1,000 hours of a 1 minute on 4 minutes off cycle at room temperature and <b>maximum rated voltage</b>			
	Continuous	250 hours continuous operation at <b>maximum rated Voltage</b> and maximum Operating Temperatures			
Warranty	For a period of one (1) year from date of shipping under normal operations conditions This warranty does not apply to products damaged through misuse, abuse, improper installation, alteration, rework, or attempt to repair				



PACKAGING		MARKING	TRAY																									
<b>ONE TRAY:</b>	<b>TWO BUNDLE</b>	<b>Bundle</b>	<b>X1</b>	<b>34.7 cm</b>																								
		<b>Customer PN</b>	<b>Y1</b>	<b>34.7 cm</b>																								
<b>ONE BUNDLE:</b>	<b>SHIPPING BOX</b>	<b>Other PN if required</b>	<b>Z1</b>	<b>21.2 cm</b>																								
		<b>Quantity</b>	<b>Quantity</b>																									
<b>TOP COVER</b>	<b>ITEM:</b> <b>C/NO:</b> <b>MADE IN CHINA</b>	<b>Lot and/or Date Code</b>	<b>BUNDLE</b>																									
		<b>Bundle Number</b>	<b>X2</b>	<b>cm</b>																								
<table border="1"> <tr><td>6</td><td>↑↑</td></tr> <tr><td>↑↑</td><td>↑↑</td></tr> <tr><td>↑↑</td><td>↑↑</td></tr> <tr><td>↑↑</td><td>↑↑</td></tr> <tr><td>↑↑</td><td>↑↑</td></tr> <tr><td>↑↑</td><td>↑↑</td></tr> </table>	6	↑↑	↑↑	↑↑	↑↑	↑↑	↑↑	↑↑	↑↑	↑↑	↑↑	↑↑	<table border="1"> <tr><td>MODEL</td><td>PCS</td></tr> <tr><td>QTY</td><td>KG</td></tr> <tr><td>N.W</td><td>KG</td></tr> <tr><td>G.W</td><td>KG</td></tr> <tr><td>SIZE</td><td></td></tr> <tr><td>LOT NO</td><td></td></tr> </table>	MODEL	PCS	QTY	KG	N.W	KG	G.W	KG	SIZE		LOT NO		<b>Shipping Box</b>	<b>Y2</b>	<b>cm</b>
6	↑↑																											
↑↑	↑↑																											
↑↑	↑↑																											
↑↑	↑↑																											
↑↑	↑↑																											
↑↑	↑↑																											
MODEL	PCS																											
QTY	KG																											
N.W	KG																											
G.W	KG																											
SIZE																												
LOT NO																												
		<b>Customer Part Number</b>	<b>Z2</b>	<b>cm</b>																								
		<b>Other PN (if required)</b>	<b>Quantity</b>																									
		<b>Quantity</b>	<b>SHIPPING BOX</b>																									
		<b>Lot and/or Date Code</b>	<b>X3</b>	<b>35 cm</b>																								
		<b>PO Number</b>	<b>Y3</b>	<b>35 cm</b>																								
		<b>Net Weight</b>	<b>Z3</b>	<b>22.5 cm</b>																								
		<b>Gross Weight</b>	<b>Number of Bundles</b>	<b>1</b>																								
		<b>Box Number</b>	<b>Quantity</b>	<b>250</b>																								
		<b>of Number of Boxes</b>	<b>Approximate Weight</b>	<b>9 Kg.</b>																								
		<b>Made in China</b>																										

The information contained herein is believed to be correct, but no guarantee or warranty, express or implied, with respect to accuracy, completeness or results is extended and no liability is assumed.  
 Challenge Electronics reserves the right to make changes in any specification, data or material contained herein.