



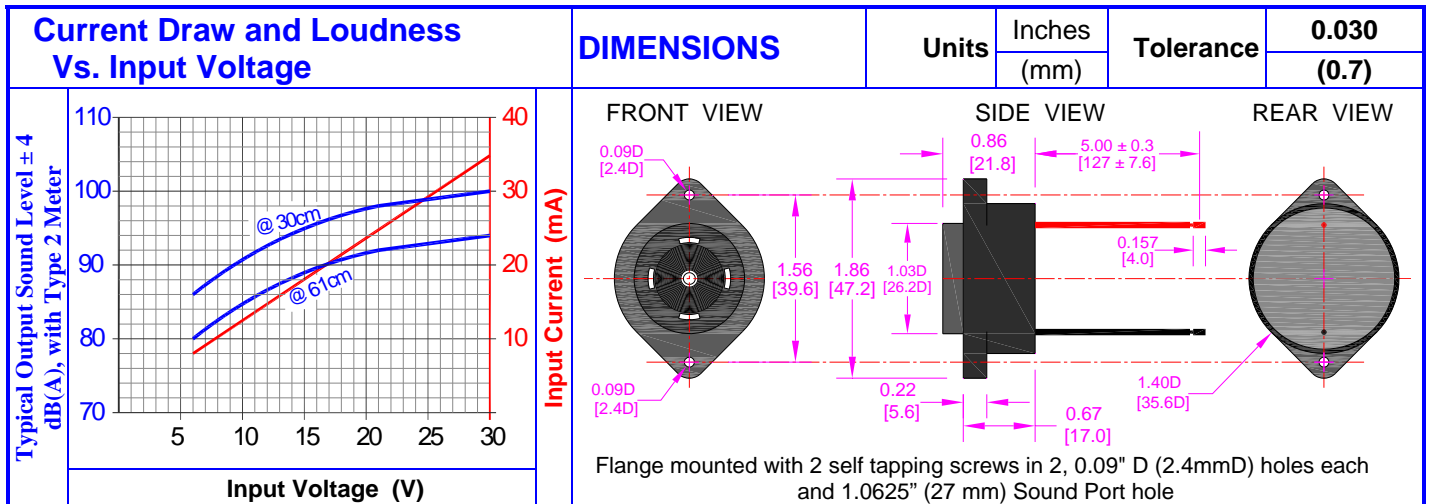
PRODUCT INFORMATION

Part #: **CE-HM630KWS**

Revision: 3-2012



DESCRIPTION		FEATURES			
<p>Challenge Electronics CHIME Tone, MEDIUM Loud, 6 to 30 Vdc, K style case Flange Rear Panel Mounting in 1.125" (28.6 mm) Hole, Sound Pressure Level of 94 dB(A) at 30 Vdc at 61 cm, 2,900 Hz. Output Frequency, Wire Leads 5" (12.7cm) Long termination, Slow Rate 1 pulse per second, Piezoelectric Alarm, RoHS Compliant</p>		<ul style="list-style-type: none"> ◆ Reliable Solid State Piezoelectric Technology ◆ Corrosion resistant Stainless Steel Diaphragm ◆ Flame Retardant Plastic ◆ Extended storage temperature ◆ Hermetically Sealed Alarm ◆ Water Proof, NEMA 3R, 4X, or 12 with Gasket (not supplied) ◆ RoHS, Lead Free Compliance ◆ ISO 9001 Certified 			
SPECIFICATIONS					
Operating Mode	Medium Loud, Slow Chime Tone		Pulse Rate	1 ± 10% Pulse per Second	
Operating Voltage	6 to 30 Vdc		Nominal Operating Voltage	24 Vdc	
Operating Frequency	2,900 ± 250 Hz.				
Typical Loudness	At Minimum Voltage	78 ± 5 dB(A), at 6 Vdc, 24 inches (61 cm), 25°C			
	At Maximum Voltage	94 ± 3 dB(A), at 30 Vdc, 24 inches (61 cm), 25°C			
Typical Operating Current	At Minimum Voltage	10 mA at 6 Vdc	At Maximum Voltage	40 mA at 30 Vdc	
Operating Temperature	-30°C to +65°C		Storage Temperature	-40°C to +105°C	
Surge Voltage	20% over maximum Operating Voltage for less than 5 minutes				
Materials	Alarm Case	Plastic, "K" Case, NORYL™, PX9406 or equal, flame retardant UL 94-V0, Black			
	Diaphragm	Stainless Steel 304			
	Encapsulation	Two parts epoxy resin or silicone potting, Black			
	Termination	Wire Leads, 18 (7X24) AWG, Copper, UL1095, 5.0" (12.7 cm) long. Struck 0.157 (4.0 mm)			
Physical Dimensions	Length or Diameter (L / D)	1.46" (37.1 mm) Ø	Long (L)	1.86" (47.2 mm)	Height (H) 0.86" (21.8 mm)
Approximate Weight	30 grams	Removable Washing Label	No	Compliance	RoHS
Available Options					
RELIABILITY					
Thermal Operating Temperature Test	<p>240 hours continuous operation at Rated Power, at Maximum Rated Operating Temperature *</p> <p>240 hours continuous operation at Rated Power, at Minimum Rated Operating Temperature *</p>				
Thermal Storage Temperature Test	<p>96 hours storage at Maximum Rated Storage Temperatures *</p> <p>96 hours storage at Minimum Rated Storage Temperatures *</p>				
Thermal Shock Test	<p>5 cycles of Minimum and Maximum Operating Temperature</p> <p>Each cycle shall be set per diagram below and is 3 hours long *</p>				
Humidity Test	120 Hours at +60°C±2°C. 90-95% RH *				
Salt Spray	Withstand exposure to salt spray per ASTM B117 for a period of 300 hours *				
Water & Dust Exposure	Withstands water submergence and dust exposure per IP-68 *				
Vibration Test	2 Hours at 1.5 mm with 10 to 55 Hz. of vibration frequency to each of 3 perpendicular direction *				
Drop Test	Dropped naturally from 1 meter height onto the surface of 10mm wooden board, 2 directions upper and side of the part are applied *				
Termination Strength	Maximum of 15 pounds (6.8 Kg) load pull test				
* Reliability Test Performance	Parts should conform to original performance within ±3dB, after 3 hours of recovery and dry period				
Life Test	Intermittent	1,000 hours of a 1 minute on 4 minutes off cycle at room temperature and maximum rated voltage			
	Continuous	250 hours continuous operation at maximum rated Voltage and maximum Operating Temperatures			
Warranty	For a period of one (1) year from date of shipping under normal operations conditions This warranty does not apply to products damaged through misuse, abuse, improper installation, alteration, rework, or attempt to repair				



PACKAGING		MARKING	TRAY	
ONE TRAY: 	TWO BUNDLE 	Bundle		X1 34.7 cm
		Customer PN	Dimensions	Y1 34.7 cm
		Other PN if required		Z1 21.2 cm
		Quantity	Quantity	42
		Lot and/or Date Code	BUNDLE	
		Bundle Number		X2 cm
		Shipping Box	Dimensions	Y2 cm
		Customer Part Number		Z2 cm
		Other PN (if required)	Quantity	
		Quantity	SHIPPING BOX	
		Lot and/or Date Code		X3 35 cm
		PO Number	Dimensions	Y3 35 cm
		Net Weight		Z3 22.5 cm
		Gross Weight	Number of Bundles	1
		Box Number	Quantity	250
		of Number of Boxes	Approximate Weight	9 Kg.
		Made in China		

The information contained herein is believed to be correct, but no guarantee or warranty, express or implied, with respect to accuracy, completeness or results is extended and no liability is assumed.
 Challenge Electronics reserves the right to make changes in any specification, data or material contained herein.