
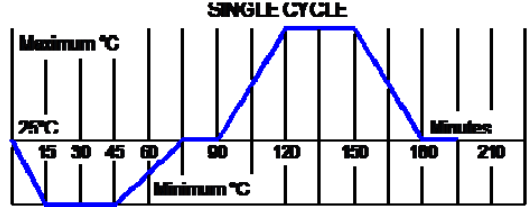


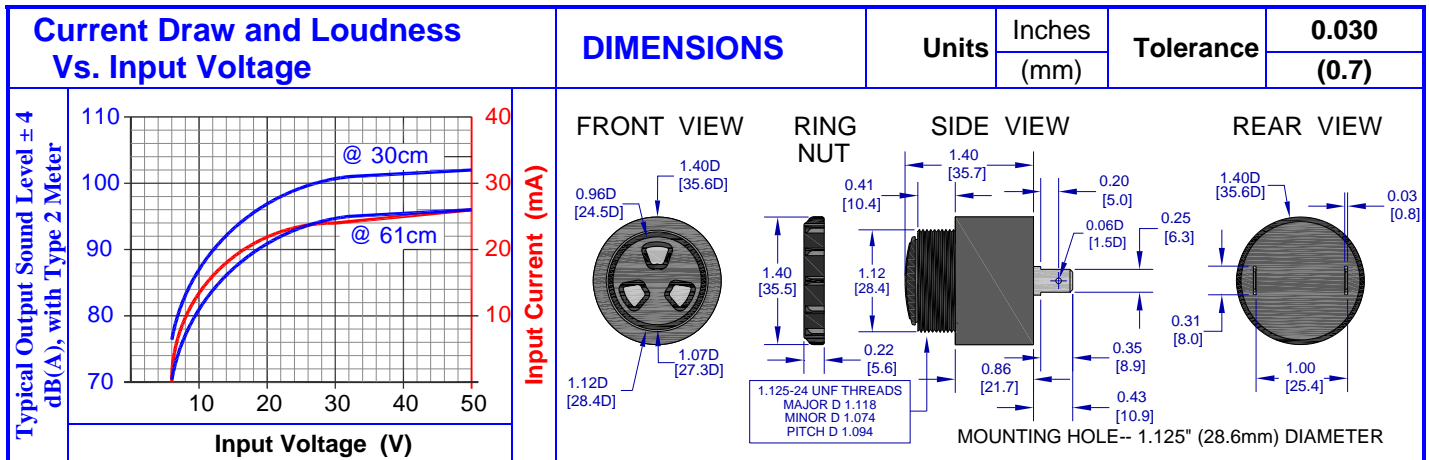


PRODUCT INFORMATION

Part #: **CE-HM948AQS**

Revision: 3-2012

DESCRIPTION		FEATURES						
Challenge Electronics, CHIME Tone, MEDIUM Loud, 9 to 48 Vac/dc, A style case Rear Panel Mounting in 1.125" (28.6 mm) Hole, Sound Pressure Level of 96 dB(A) at 48 Vdc at 61 cm, 2,900 Hz. Output Frequency, Quick Connect Blades termination, Slow Rate 1 pulse per second, Piezoelectric Alarm, RoHS Compliant		<ul style="list-style-type: none"> ◆ Reliable Solid State Piezoelectric Technology ◆ Corrosion resistant Stainless Steel Diaphragm ◆ Flame Retardant Plastic ◆ Extended storage temperature ◆ Hermetically Sealed Alarm ◆ Water Proof, NEMA 3R, 4X, or 12 with Gasket (not supplied) ◆ RoHS, Lead Free Compliance ◆ ISO 9001 Certified 						
SPECIFICATIONS								
Operating Mode	Medium Loud, Slow Chime Tone					Pulse Rate	1 ± 10% Pulse per Second	
Operating Voltage	9 to 48 Vdc					Nominal Operating Voltage	36 Vdc	
Operating Frequency	2,900 ± 250 Hz.							
Typical Loudness	At Minimum Voltage					80 ± 5 dB(A), at 9 Vdc, 24 inches (61 cm), 25°C		
	At Maximum Voltage					96 ± 3 dB(A), at 48 Vdc, 24 inches (61 cm), 25°C		
Typical Operating Current	At Minimum Voltage					10 mA at 9 Vdc	At Maximum Voltage	30 mA at 48 Vdc
	Operating Temperature					-30°C to +65°C		Storage Temperature
Surge Voltage	20% over maximum Operating Voltage for less than 5 minutes							
Materials	Alarm Case					Plastic, "A" Case, NORYL™, PX9406 or equal, flame retardant UL 94-V0, Black		
	Diaphragm					Stainless Steel 304		
	Encapsulation					Two parts epoxy resin or silicone potting, Black		
	Termination					Two, 0.25 (6.4 mm) Quick Connect Blades, 0.032Ø (0.8Ø mm) Wide, Brass, Electro-Tin plated		
Physical Dimensions	Length or Diameter (L/D)					1.46" (37.1 mm) Ø	Width (W)	Height (H)
Approximate Weight	35 grams	Removable Washing Label	No	Compliance	RoHS			
Available Options								
RELIABILITY								
Thermal Operating Temperature Test	240 hours continuous operation at Rated Power, at Maximum Rated Operating Temperature *							
	240 hours continuous operation at Rated Power, at Minimum Rated Operating Temperature *							
Thermal Storage Temperature Test	96 hours storage at Maximum Rated Storage Temperatures *							
	96 hours storage at Minimum Rated Storage Temperatures *							
Thermal Shock Test	5 cycles of Minimum and Maximum Operating Temperature Each cycle shall be set per diagram below and is 3 hours long *							
Humidity Test	120 Hours at +60°C±2°C. 90-95% RH *							
Salt Spray	Withstand exposure to salt spray per ASTM B117 for a period of 300 hours *							
Water & Dust Exposure	Withstands water submergence and dust exposure per IP-68 *							
Vibration Test	2 Hours at 1.5 mm with 10 to 55 Hz. of vibration frequency to each of 3 perpendicular direction *							
Drop Test	Dropped naturally from 1 meter height onto the surface of 10mm wooden board, 2 directions upper and side of the part are applied *							
Termination Strength	Maximum of 15 pounds (6.8 Kg) load pull test							
* Reliability Test Performance	Parts should conform to original performance within ±3dB, after 3 hours of recovery and dry period							
Life Test	Intermittent	1,000 hours of a 1 minute on 4 minutes off cycle at room temperature and maximum rated voltage						
	Continuous	250 hours continuous operation at maximum rated Voltage and maximum Operating Temperatures						
Warranty	For a period of one (1) year from date of shipping under normal operations conditions This warranty does not apply to products damaged through misuse, abuse, improper installation, alteration, rework, or attempt to repair							



PACKAGING

ONE TRAY:

TWO BUNDLE

ONE BUNDLE:

SHIPPING BOX

ITEM: C/NO: MADE IN CHINA

6	↑↑
↑	↓
↑	↓

MODEL	PCS
QTY	KG
N.W	KG
G.W	KG
SIZE	
LOT NO	

MARKING		TRAY	
Bundle		X1	34.7 cm
Customer PN	Dimensions	Y1	34.7 cm
Other PN if required		Z1	21.2 cm
Quantity	Quantity	42	
Lot and/or Date Code	BUNDLE		
Bundle Number		X2	cm
Shipping Box	Dimensions	Y2	cm
Customer Part Number		Z2	cm
Other PN (if required)	Quantity		
Quantity	SHIPPING BOX		
Lot and/or Date Code		X3	35 cm
PO Number	Dimensions	Y3	35 cm
Net Weight		Z3	22.5 cm
Gross Weighjt	Number of Bundles	1	
Box Number	Quantity	250	
of Number of Boxes	Approximate Weight	9 Kg.	
Made in China			